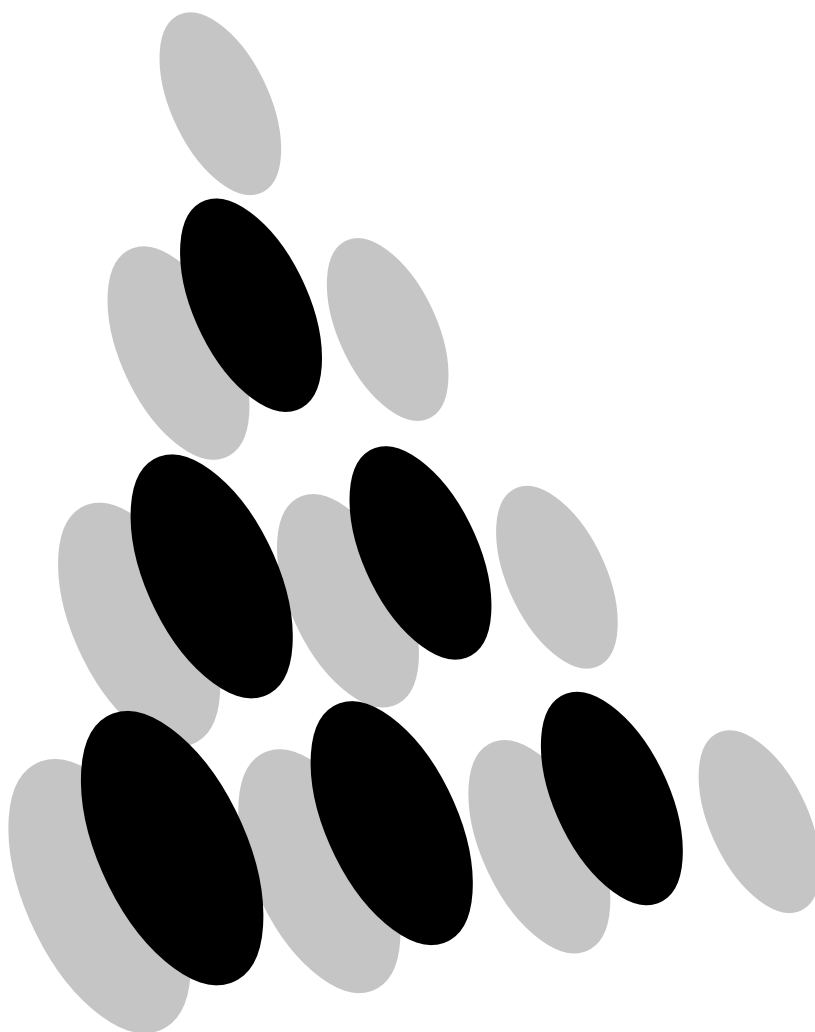


**SERVIS™ Extender  
Cat5 Wide Band**

**FE-1000CW**

**User's Manual**



**FUJITSU**

**FCC WARNING:**

Changes or modifications not expressly approved by the party responsible for compliance could void the user's authority to operate the equipment.

This equipment has been tested and found to comply with the limits for a Class A digital device, pursuant to Part 15 of the FCC Rules.

These limits are designed to provide reasonable protection against harmful interference when the equipment is operated in a commercial environment. This equipment generates, uses, and can radiate radio frequency energy and, if not installed and used in accordance with the instruction manual, may cause harmful interference to radio communications.

Operation of this equipment in a residential area is likely to cause harmful interference in which case the user will be required to correct the interference at his own expense.

This Product is designed, developed and manufactured as contemplated for general use, including without limitation, general office use, personal use, household use, and ordinary industrial use, but is not designed, developed and manufactured as contemplated for use accompanying fatal risks or dangers that, unless extremely high safety is secured, could lead directly to death, personal injury, severe physical damage or other loss (hereinafter "High Safety Required Use "), including without limitation, nuclear reaction control in nuclear facility, aircraft flight control, air traffic control, mass transport control, medical life support system, missile launch control in weapon system.

You shall not use this Product without securing the sufficient safety required for the High Safety Required Use.

If you wish to use this Product for High Safety Required Use, please consult with our sales representatives in charge before such use.

Names and product names are the registered trademarks or trademarks of their respective companies.

All Rights Reserved, Copyright© FUJITSU COMPONENT LIMITED 2005



---

# Contents

---

<b>1. PREFACE .....</b>	<b>2</b>
1.1 Conventions.....	2
1.2 Packing list .....	3
<b>2. IMPORTANT NOTICES .....</b>	<b>4</b>
2.1 Safety.....	4
2.2 Disposal.....	6
2.3 Moving the Cat5 Wide Band.....	6
2.4 Compatible peripherals (keyboards, mice & monitors).....	6
<b>3. NAMES AND FUNCTIONS OF EACH PART .....</b>	<b>7</b>
3.1 LOCAL (Transmitter Unit) .....	7
3.2 REMOTE (Receiver Unit).....	9
<b>4. CONNECTING THE CABLES.....</b>	<b>11</b>
<b>5. ATTACHING THE FERRITE CORES .....</b>	<b>12</b>
<b>6. ADJUSTING THE IMAGE QUALITY .....</b>	<b>16</b>
6.1 Adjusting the Color.....	16
<b>7. HOW TO ADJUST FOR VARIOUS KEYBOARD LANGUAGES.....</b>	<b>18</b>
<b>8. FIXING THE AC ADAPTER CABLE.....</b>	<b>19</b>
<b>9. ATTACHING THE BRACKETS (OPTIONAL).....</b>	<b>20</b>
9.1 Attaching the L Type Bracket .....	20
9.2 Attaching the Box Type Bracket .....	21
<b>10. REMOVING THE CABLES .....</b>	<b>22</b>
<b>11. CLEANING THE CAT5 WIDE BAND.....</b>	<b>22</b>
<b>12. TECHNICAL SPECIFICATIONS.....</b>	<b>23</b>
<b>13. TROUBLESHOOTING .....</b>	<b>25</b>

---

## 1. Preface

---

Thank you for your purchase of the SERVIS™ Extender Cat5 Wide Band.

Use of the SERVIS™ Extender Cat5 Wide Band allows the computer, keyboard, mouse, and monitor to be placed in separate locations, improving the amount of control the consumer has over the use of space in his/her work area.

PC/AT compatible, IA server, SUN Workstation, and SUN server computers can be connected to the SERVIS™ Extender Cat5 Wide Band.

Video input from the computer may use either separate sync or composite sync format.

Use a multiscan monitors with a resolution of 1600 x 1200 pixels, and a refresh rate of 75Hz (maximum) to connect to the SERVIS™ Extender Cat5 Wide Band.

\*Note: The SERVIS™ Extender Cat5 Wide Band is hereafter referred to as the "Cat5 Wide Band".

### 1.1 Conventions

Symbols and terminology that are used in this manual are described below.



This symbol indicates the possibility of physical damage (such as damage to the Cat5 Wide Band or the server) or physical injury, which may result if the Cat5 Wide Band is operated incorrectly by ignoring this symbol.



This logo indicates supplemental information, comments or hints.

- 
- Text that is preceded by a number (such as 1.) indicates that the operation must be done in the order indicated.
  - Reference to important chapter titles and terminology are in brackets [ ].

---

## 1.2 Packing list

Make sure that the items in the following list are included in the shipping package.

- LOCAL (Transmitter Unit) x 1
- REMOTE (Receiver Unit) x 1
- AC Adapter (Receiver Unit) x 1
- AC Cable (Receiver Unit) x 1
- User's Manual (this manual) x 1
- Nylon Clamp  
(prevents AC adapter detachment) x 1
- Screw (to attach the nylon clamp) x 1
- Cable Tie  
(prevents AC adapter detachment) x 1
- Masking Sticker (for DIP switch mask) x 1
- Adjustment Stylus (controls color drift) x 1
- Ferrite Core (attach to the Cat5 cable) x 1

The packaging (box and contents) should be kept because it might be necessary to move the Cat5 Wide Band to some other place. If something is missing from the package, contact your supplier or local FUJITSU COMPONENT representative.



Please note the safety information in [Important Notices].

- 
1. Check the package delivered and whether the Cat5 Wide Band has been damaged when unpacking.
-

---

## 2. Important Notices

---

This chapter contains cautions that must be taken when the Cat5 Wide Band is installed or used and information related to safety. Carefully read this chapter to use the Cat5 Wide Band correctly.

### 2.1 Safety



#### CAUTION Precautions

The Cat5 Wide Band adheres to the safety regulations related to information processing equipment such as electronic office machines that are used in an office environment. If you have any questions, please contact your place of purchase or a FUJITSU COMPONENT maintenance engineer.

- To prevent extreme bumping or shaking when moving the Cat5 Wide Band use the original shipping container or a box similar to it. A squashed or broken box should not be used, as it may damage the Cat5 Wide Band.
- During installation and before using the Cat5 Wide Band, carefully read the [Installation] section and the section about environmental conditions in [Technical Specifications] for more on how to use the Cat5 Wide Band correctly.
- Moving the Cat5 Wide Band directly from a cold environment to the installation location may result in condensation occurring. Before using the Cat5 Wide Band allow it to dry out completely and to reach the ambient temperature of the installation location.
- Make sure that the local power supply voltage is within the acceptable range of the Cat5 Wide Band. (Refer to [Technical Specifications] and the model plate on the Cat5 Wide Band).
- Make sure that the area around the power supply outlet allows the Cat5 Wide Band to be freely plugged in and unplugged.
- Lay the cable in an area where it will not become damaged. Refer to the relevant sections in [Connecting Cables] / [Removing Cables] when plugging or unplugging the cables.
- Do not connect or remove the data transmission cables during thunderstorms.
- Do not allow foreign substances such as paperclips or other metal objects or liquids inside the Cat5 Wide Band.
- In an emergency (such as: damage to the housing, parts or cables; or liquid or a foreign object has fallen into the Cat5 Wide Band) remove the power cable as soon as possible and contact your place of purchase or FUJITSU COMPONENT representative (FUJITSU COMPONENT maintenance engineer).
- Only licensed engineers may repair the Cat5 Wide Band. Having unlicensed users attempt repairs may cause electric shock or fire. Do not attempt to repair or modify the Cat5 Wide Band yourself.
- Always hold the connector itself and do not jerk the cables when removing them.
- Do not plug or unplug connectors with wet hands.
- Do not place such unnecessary items as cups on the top of the Cat5 Wide Band.
- To prevent interference it is necessary to adequately isolate the data cables connected to peripheral equipment.
- Keep this manual with the Cat5 Wide Band. If you give the Cat5 Wide Band to a third party give them this manual also.

**CAUTION**

Observe the following when using the Cat5 Wide Band:

Familiarize yourself with the relevant safety precautions before using the Cat5 Wide Band. Observe the safety precautions provided herein. They contain important information intended to prevent accidents that could damage your property or cause you bodily harm.

- Make sure that the computer is turned OFF when plugging or unplugging connectors. Before plugging or unplugging connectors, discharge electricity, especially static electricity. Unplugging connectors without discharging static electricity or turning the power OFF presents a risk of damage to the computer or the Cat5 Wide Band. Be advised that such damage is not covered by warranty.
- PC/AT compatibles, IA servers, SUN Workstation, and SUN servers can be connected to the Cat5 Wide Band. All servers must be equipped with the keyboard, mouse, and monitor connectors listed below. The Cat5 Wide Band cannot be used with other types of connectors. PS/2 keyboards and mice, and SUN keyboards cannot be connected to the console simultaneously.
  - PC/AT and IA server
    - Mini DIN 6-Pin female x 2  
(1 each for PS/2 keyboard, and PS/2 mouse use)
    - USB A-type Connector
    - Mini D-Sub 15-Pin female (monitor)
  - SUN Workstation and SUN server
    - Mini DIN 8-Pin female
    - USB A-type Connector
    - Mini D-Sub 15-Pin female (monitor)
- The computer is video signals may use either separate sync or composite sync. Check the monitor specification before setting the Cat5 Wide Band to separate sync or composite sync.
- Connect the Cat5 Wide Band and computer with one of the optional CRT composite cables (PS/2, USB, SUN, available separately).
- The Cat5 Wide Band will not function with unsupported keyboards (programmable, wireless) or mice (wireless, including those with special drivers) that have unique specifications. Select your peripherals accordingly.
- The Cat5 Wide Band is equipped with PS/2 (Mini DIN 6-Pin female) and SUN (Mini DIN 8-Pin female) keyboard connectors.
- The Cat5 Wide Band is only equipped with a PS/2 (Mini DIN 6-Pin female) mouse connector. Serial mice cannot be connected to the Cat5 Wide Band.
- Scroll wheel equipped PS/2 mice with unsupported scroll functions may not work correctly. Scroll functions may also not work correctly when used in conjunction with certain support software.
- PS/2 keyboards and PS/2 mice have identically shaped connectors. The color of the connectors should be different to allow them to be distinguished when making connections. Improperly connected peripherals will not only fail to function correctly, but may cause the Cat5 Wide Band to problem.
- Setup the console keyboard and computer drivers correctly. The device will not function correctly if the settings are incorrect. (Example: Language drivers)
- The Cat5 Wide Band is not compatible with DVI (Digital Video Interface) monitors.

- 
- The monitor cable is equipped with a Mini D-Sub 15-Pin connector. Confirm the direction of the connector and securely tighten the fastening screws. Improper connections could cause problems.
  - Connect a multiscan monitor to the Cat5 Wide Band and set the appropriate monitor resolution. Monitors supported by the Cat5 Wide Band may have a resolution of up to 1600 x 1200 pixels and a refresh rate of 75Hz. Image display may be affected by the monitor in use and changes made to resolution settings. If image display is poor, adjust the image settings at the monitor or video card.
  - Image problems at high resolutions, as well as ghosting and bleeding with certain settings may be caused by the monitor cable, or the video card. Certain combinations of monitors and video cards may prevent proper image reproduction. To correct such problems, adjust the video card preferences.
  - Use only FUJITSU COMPONENT extenders when connecting LOCAL (transmitters) and/or REMOTE (receivers). The Cat5 Wide Band cannot be connected to extenders made by other manufacturers.  
Some FUJITSU COMPONENT extenders cannot be connected to the Cat5 Wide Band. For details, please contact your place of purchase or a FUJITSU COMPONENT maintenance engineer.

## 2.2 Disposal

The Cat5 Wide Band is manufactured with metal and plastic parts. Dispose of it according to the relevant government regulations.

## 2.3 Moving the Cat5 Wide Band



When moving the Cat5 Wide Band to a different location, use the box in which it was purchased or a box that protects the product from bumping and shaking.

---

## 2.4 Compatible peripherals (keyboards, mice & monitors)

### 1. Keyboards

- PS/2-compliant keyboards (101 - 109 keys)
- SUN keyboards

### 2. Mice

- PS/2-compliant mice (2-button, 3-button, Scroll Wheel Functions supported)
- SUN Mice

### 3. Monitors

- Multiscan monitors for use with PC/AT compatibles

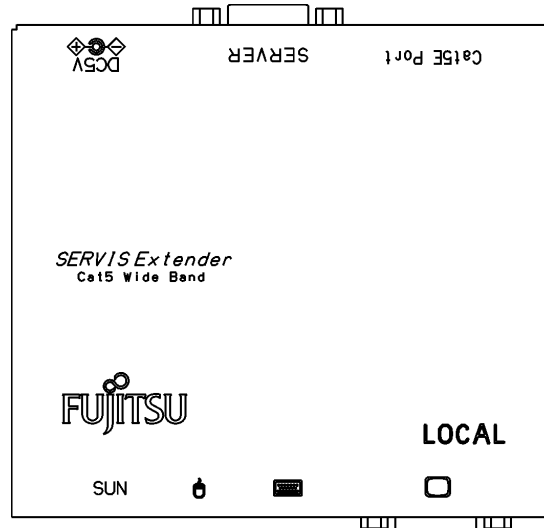
\*Note: Compatible with composite signals from the computer. Check the computer specifications.

---

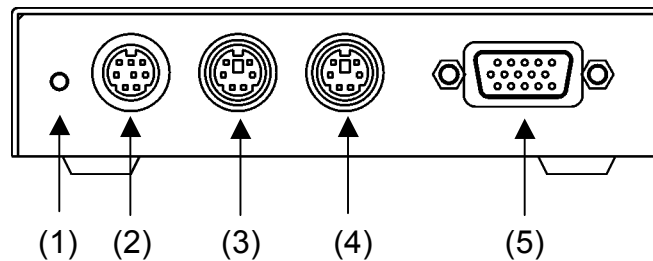
### 3. Names and Functions of Each Part

---

#### 3.1 LOCAL (Transmitter Unit)



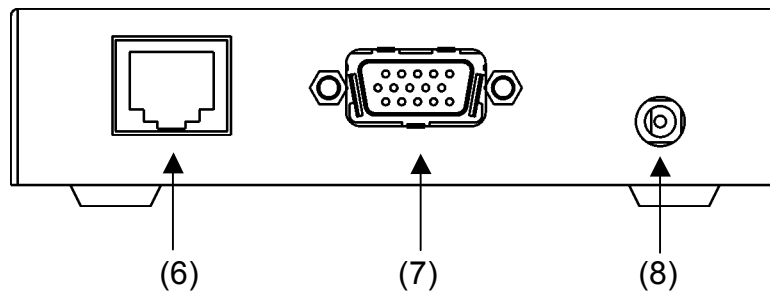
##### 1: Front panel



- (1) POWER LED (green)  
This LED lights up while the server is on, and blinks when the keyboard or mouse is used.
- (2) CONSOLE SUN connector (black)  
Used to connect a SUN keyboard. If another keyboard or mouse is connected to the receiver, both peripherals cannot be operated simultaneously. PS/2 keyboards cannot be used in conjunction with SUN keyboards.
- (3) CONSOLE mouse connector (green)  
Used to connect a PS/2 mouse. If another mouse is connected to the receiver, both mice cannot be operated simultaneously.
- (4) CONSOLE keyboard connector (purple)  
Used to connect a PS/2 keyboard. If another keyboard is connected to the receiver, both keyboards cannot be operated simultaneously. PS/2 keyboards cannot be used in conjunction with SUN keyboards.
- (5) CONSOLE monitor connector (blue)  
Used to connect to the monitor.

---

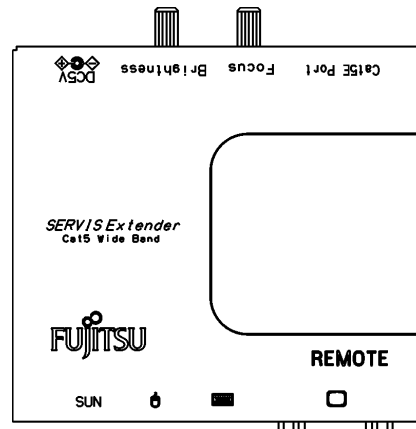
## 2: Rear panel



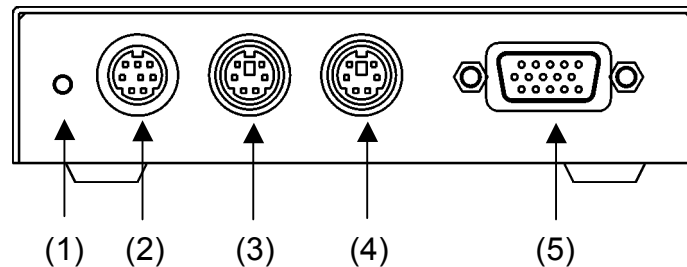
- (6) Cat5E Port connector  
Used to connect Cat5E cables and Cat5E ports to the Transmitter Unit.  
Other LAN cables should not be connected.
- (7) SERVER connector  
Connect the computer and the Cat5E Wide Band with the CRT composite cables.
- (8) Power Supply Unit connector (for AC adapter DC5V)  
The optional AC adapter plugs in here.  
The AC adapter must be connected to ensure stable operation when the Cat5E Wide Band is connected to a KVM switch or console splitter.

---

### 3.2 REMOTE (Receiver Unit)



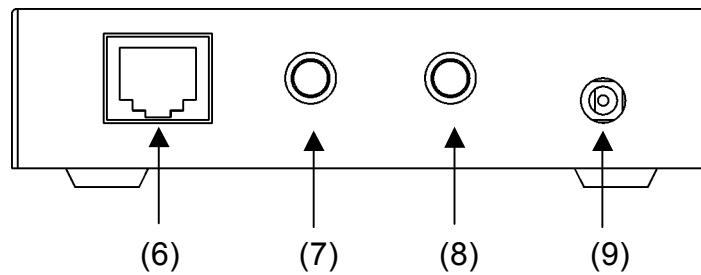
#### 1: Front panel



- (1) POWER LED (green)  
This LED lights up while the server is on, and blinks when the keyboard or mouse is used.
- (2) SUN connector (black)  
Used to connect a SUN keyboard. If another keyboard or mouse is connected to the transmitter, both peripherals cannot be operated simultaneously. PS/2 keyboards cannot be used in conjunction with SUN keyboards.
- (3) CONSOLE mouse connector (green)  
Used to connect a PS/2 mouse. If another mouse is connected to the transmitter, both mice cannot be operated simultaneously.
- (4) Keyboard connector (purple)  
Used to connect a PS/2 keyboard. If another keyboard is connected to the transmitter, both keyboards cannot be operated simultaneously. PS/2 keyboards cannot be used in conjunction with SUN keyboards.
- (5) Monitor connector (blue)  
Used to connect to the monitor.

---

## 2: Rear panel



- (6) Cat5E Port connector  
Used to connect Cat5E cables and Cat5E ports to the Transmitter Unit.  
Other LAN cables should not be connected.
- (7) [Focus] knob  
Used to adjust the focus of the monitor. Turn to the right to lengthen the monitor focus, and turn to the left to shorten it. Look at the edges of the characters to find the best position.
- (8) [Brightness] knob  
Used to adjust the brightness of the monitor. Turn to the right to make the monitor brighter. Adjust the brightness as you like.
- (9) Power Supply Unit connector (for AC adapter DC5V)  
The supplied AC adapter plugs in here.

---

## 4. Connecting the Cables

---



- Read the Cat5 Wide Band manual before connecting the cables.
  - Do not connect or remove the cables during a thunderstorm.
  - When unplugging cables hold them by the plug, not the cable.
  - Connect and remove cables in the order described in this chapter.
  - Do not connect a LAN cable to the Cat5E port, it may be damaged.
  - FUJITSU COMPONENT Cat5E cable is recommended.
- 

The following describes how to connect the cables. See page 13 to 15 also for connection examples.

### 1. Getting started

- Plug the computer's power cord into an outlet. (**connection example (1)**)
- Check that the computer is turned off.

### 2. Connecting the LOCAL (Transmitter Unit)

- (1) Connect the CRT composite cable to the computer's keyboard/mouse and monitor connectors. (**connection example (2)**)
- (2) Connect the special connector (black) to the Server connector (Mini D-Sub 15-Pin female). (connection example (3))  
If the monitor interface for a SUN Workstation or server is using a "13W3" connector attach the optional SUN adapter (13W3 → HD15) between the computer and the monitor connector. (connection example (8) of 2)
- (3) Connect the Cat5E cable to the Cat5 connector. (connection example (4))
- (4) If necessary, attach the supplied AC adapter (optional) to the DC5V connector of the LOCAL (Transmitter Unit) and plug the AC adapter into an outlet. (connection example (9) of 3)

### 3. Connecting the REMOTE (Receiver Unit)

- (1) Connect the monitor, keyboard and mouse to the appropriate connectors. Plug the power cord of the monitor into an outlet.  
(For a PS/2 keyboard and mouse: connection example (5) of 1)  
(For a SUN keyboard: connection example (5) of 2)  
Note 1: Use the color coding to ensure that each device is plugged into the right connector.  
Note 2: The shapes of the SUN keyboard, PS/2 keyboard and mouse connectors are different. Be careful not to use excessive force when plugging the keyboard in – you may have the wrong connector.
- (2) Connect the Cat5E cable to the Cat5 connector. (connection example (6) of 1)
- (3) Connect the supplied AC adapter to the DC5V connector of the REMOTE (Receiver Unit) and plug the AC adapter into an outlet. (connection example (7) of 1)

---

## Point

- When using the Cat5 Wide Band to connect a KVM switch or console splitter, or the remote video only, connect the AC adapter to the power connector of the Transmitter Unit. (connection example (9) of 3)  
Use the FUJITSU COMPONENT AC adapter optional (Product ID: NC14003-T055).
- Using the fastening screws, securely connect the monitor connector (Mini D-Sub 15-Pin) to the computer. Image distortion may occur if the connector is not securely fastened.
- Connect the computer and server power supplies to grounded power outlets.
- Keyboard and mouse must be connected before the Transmitter Unit or Receiver Unit is turned on.
- The various items should be turned on/off in order after completing the cable connections, as follows:

Turning on: Receiver Unit (& Transmitter Unit) first / computer last

Turning off: Computer first / Receiver Unit (& Transmitter Unit) last

There is no set order in which the Transmitter Unit and Receiver Unit must be turned on.

---

## 5. Attaching the Ferrite Cores

---



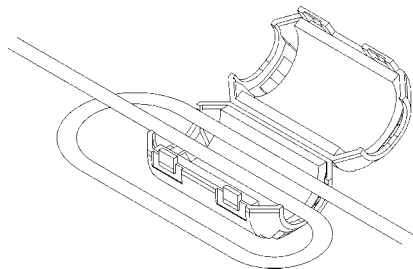
**CAUTION**

Attach a ferrite core to the LOCAL (Transmitter Unit) side of the Cat5E cable (to decrease extraneous radiation).

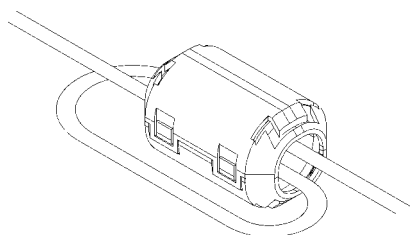
Be careful not to pinch the cable or your fingers when closing and locking the ferrite core.

---

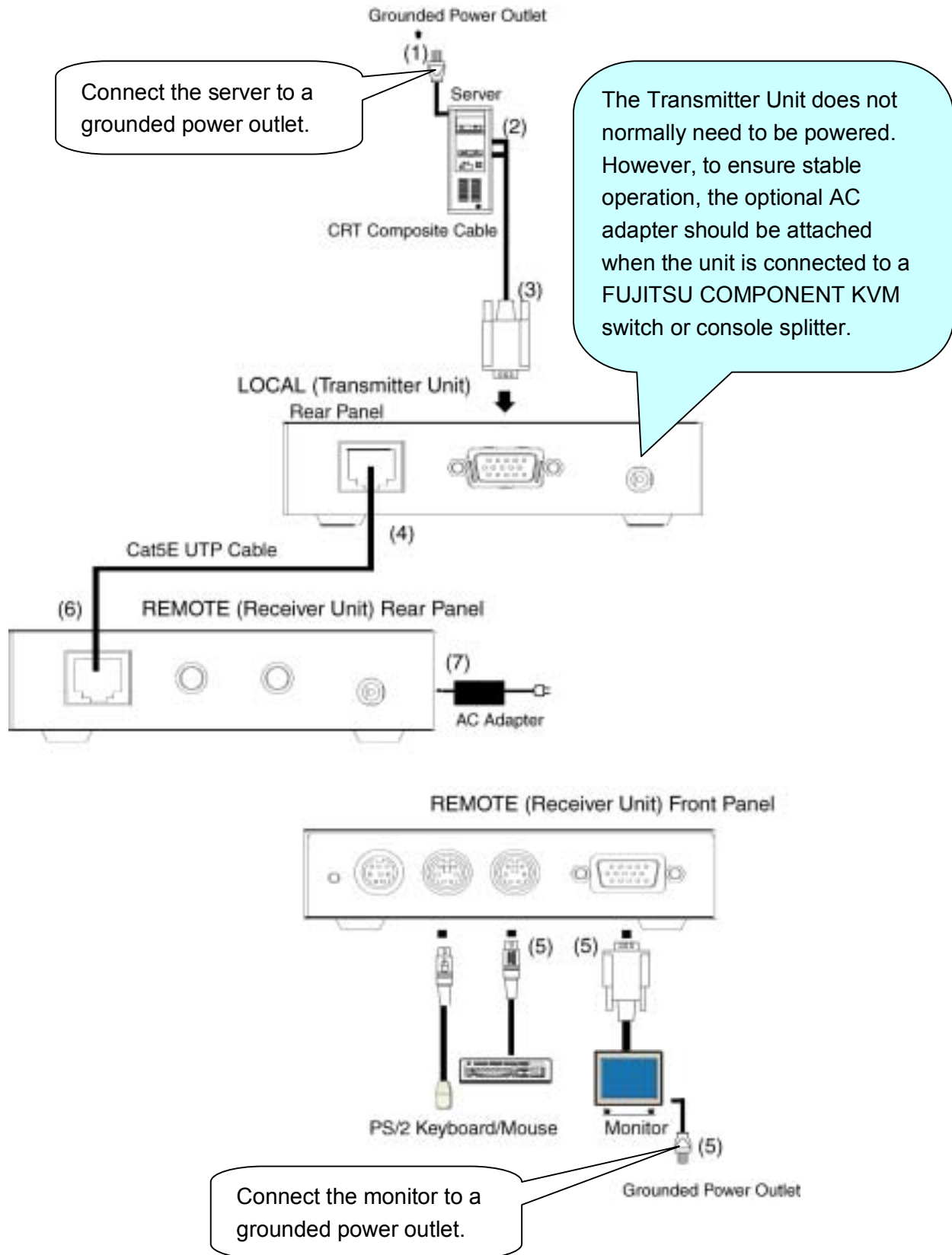
1. Loop the Cat5E cable once through the ferrite core, and lock it shut.  
Attach the core no more than 20cm from the LOCAL (Transmitter Unit).



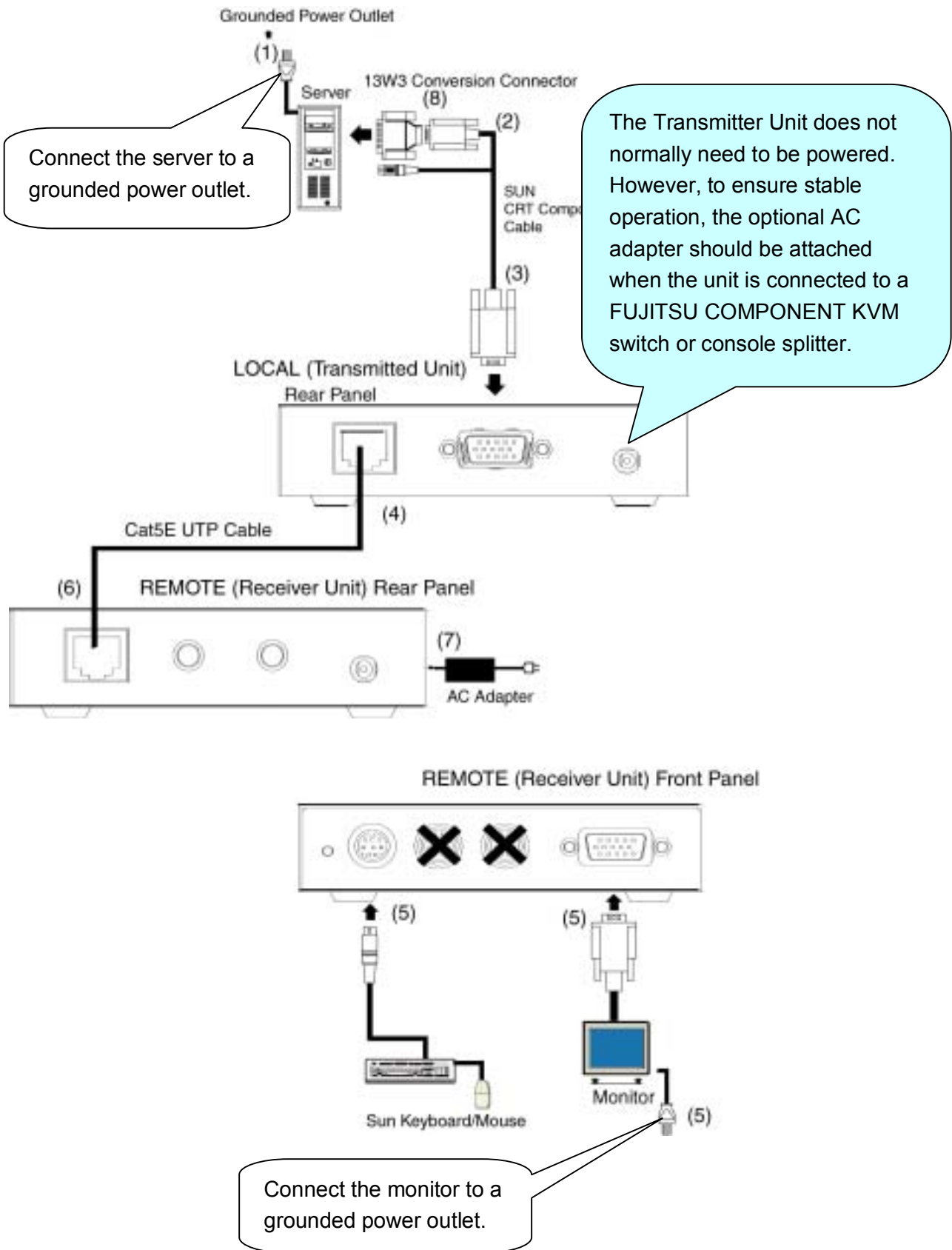
2. Be careful not to pinch the cable or your fingers when closing and locking the ferrite core.



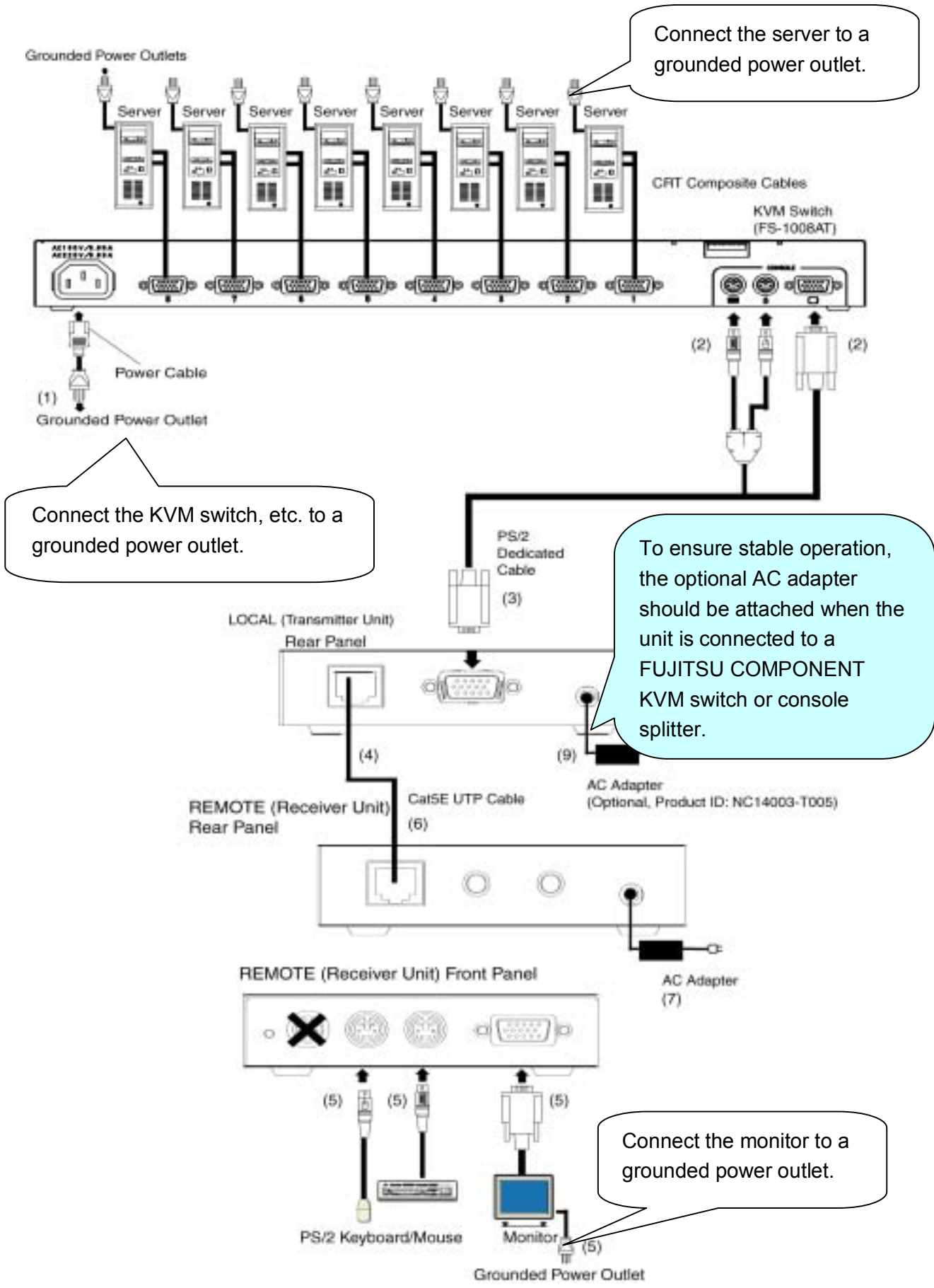
Connection example 1. When using a PS/2 keyboard and mouse



Connection example 2. When using a SUN keyboard and mouse



Connection example 3. When connecting to a KVM switch, etc.



---

## 6. Adjusting the Image Quality

---

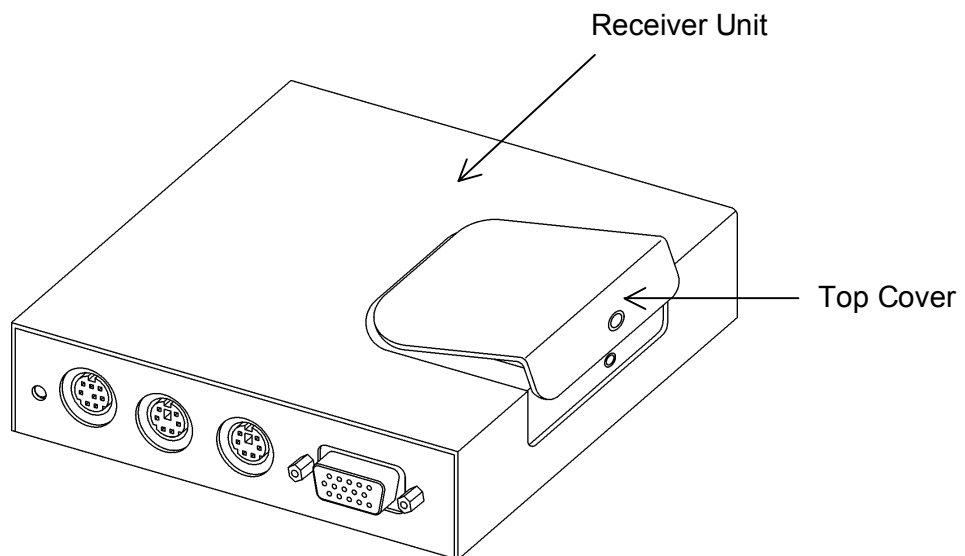
- (1) Turn the Brightness knob to give the brightness you want.
- (2) Turn the Focus knob to obtain a sharp image.
- (3) Adjust the color, if needed.
- (4) Connect the monitor to the computer or the output connector of the LOCAL (Transmitter Unit) and press the LCD monitor's Auto switch to check that the image quality is sharp (no color drift, no bleeding).

### 6.1 Adjusting the Color

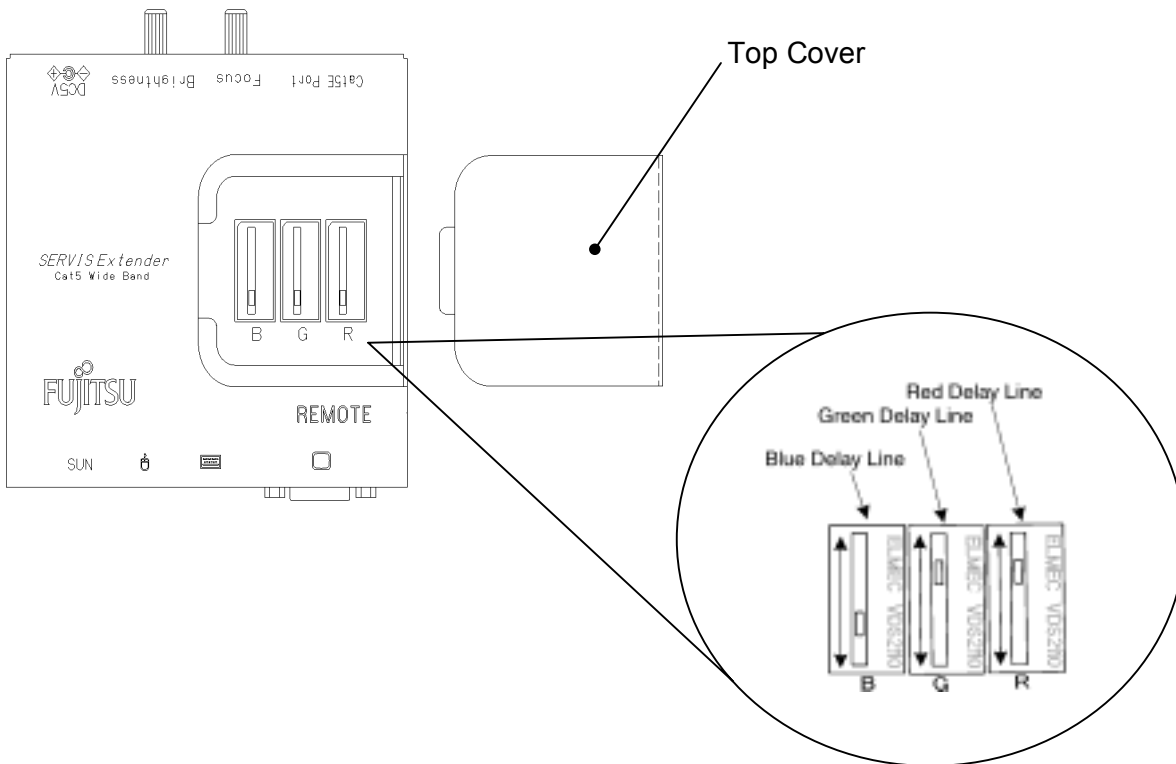
---



To adjust the color, remove the top cover of the Receiver Unit (REMOTE). Be careful that no debris or foreign objects enter the Cat5 Wide Band while the cover is removed. Foreign objects in the Cat5 Wide Band can cause problems.



- (1) Remove the screw located on the side of the top cover Cat5 Wide Band Receiver Unit (REMOTE).
- (2) Lift up the side of the top cover to remove it.



- (3) Remove the transparent cover from the delay line sliders.
- (4) Using the adjustment stylus, adjust the red, green, and blue delay line sliders by gently moving the tabs to the left or right.
- (5) Execute steps (1) to (3) in reverse order to reassemble the Cat5 Wide Band. Adjust the clock and phase of the LCD monitor first.  
Do not exert excessive force when using the adjustment stylus. Doing so may damage the delay line sliders.

## Point

### Delay line slider adjustment example

- (1) During adjustment of the delay line sliders, the onscreen background will be black with white vertical lines on it. The use of paint or other similar application software is recommended.
- (2) If the tab is moved in the "+" direction, red, green, or blue will move to the right.  
If the tab is moved in the "-" direction, red, green, or blue will move to the left.
- (3) At first, move the tab drastically to get a feel for color adjustment. After doing so, adjust the color in smaller increments.

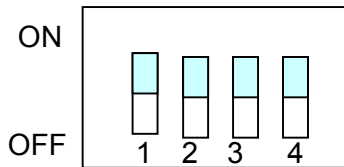
---

## 7. How to Adjust for Various Keyboard Languages

---

Set the DIP switches on the Transmitter Unit in accordance with the language you wish to use on the keyboard of your choice. The DIP switches are located on the bottom of the Transmitter Unit.

When shipped from the factory, the switches are set to an ON (Japanese) by default.



The following table shows the DIP switch settings for each keyboard language.

Keyboard language	No.1	No.2	No.3	No.4
Japanese	ON	ON	ON	ON
GBR	ON	ON	ON	OFF
USA	ON	ON	OFF	ON
GER (German)	ON	ON	OFF	OFF
FRA (French)	ON	OFF	ON	ON
SWE (Swedish)	ON	OFF	ON	OFF
ESP (Spanish)	ON	OFF	OFF	ON
TPE (Taiwan)	OFF	ON	ON	ON
KOR (Korean)	OFF	ON	OFF	ON
UNIX	OFF	ON	OFF	OFF



To prevent the entry of debris and foreign objects, cover the DIP switches with the provided masking sticker after setting them.

---

---

## 8. Fixing the AC Adapter Cable

---

Secure the AC adapter cable to the Receiver Unit using the following procedure to prevent accidental plug detachment.

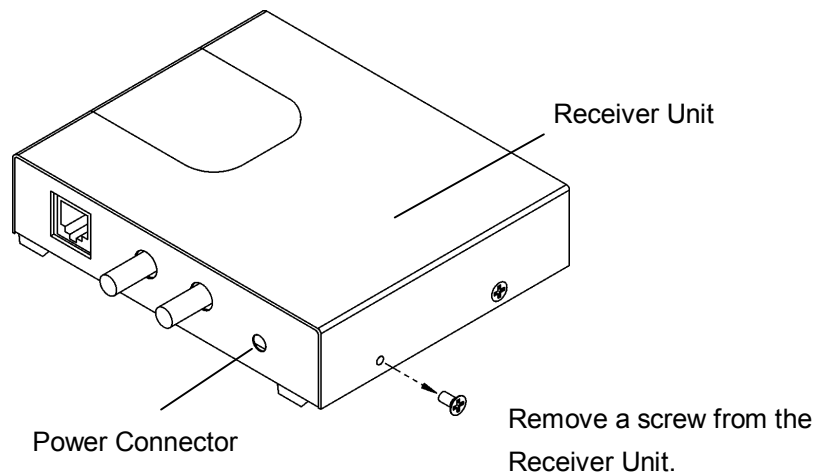


### CAUTION

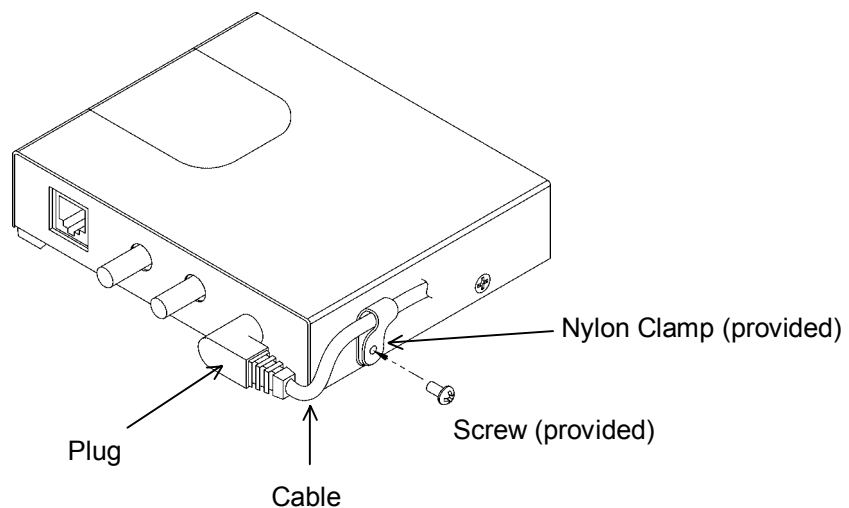
When performing the following procedure, unplug the AC adapter power cable first.

---

- (1) Remove a cover screw from the Receiver Unit.  
(The removed screw will not be used, but should be kept.)



- (2) Plug the AC adapter plug into the power connector. Then, fix the cable using "Nylon Clamp" and "Screw" provided with the Cat5 Wide Band as illustrated below:



---

## Point

If it is difficult to attach the nylon clamp, use the cable tie provided with the Cat5 Wide Band to bundle the AC adapter cable with other cables (monitor cables, etc.) as an alternate means of preventing accidental unplugging.

---

---

## 9. Attaching the Brackets (Optional)

---

Attachment brackets are provided as an option.

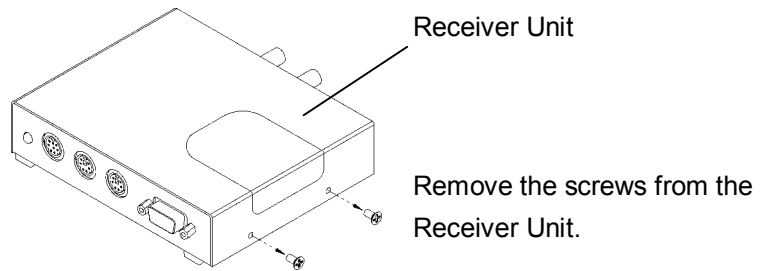
It may be easier to attach the Cat5 Wide Band to the side of a table or the back of monitor with these attachment brackets.

There are two types of attachment brackets: L type and box type.

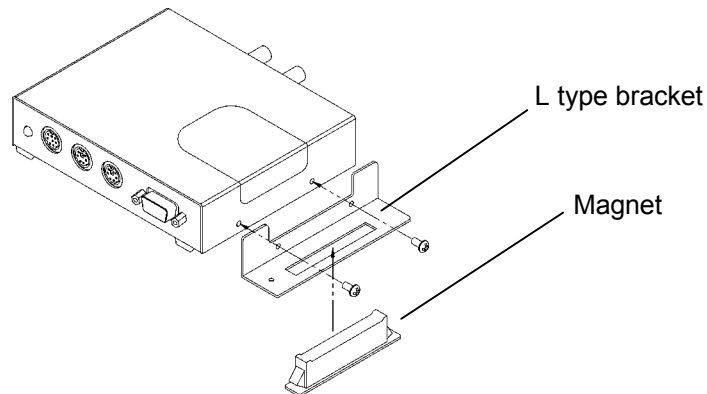
Note: The following description applies to the Transmitter Unit.

### 9.1 Attaching the L Type Bracket

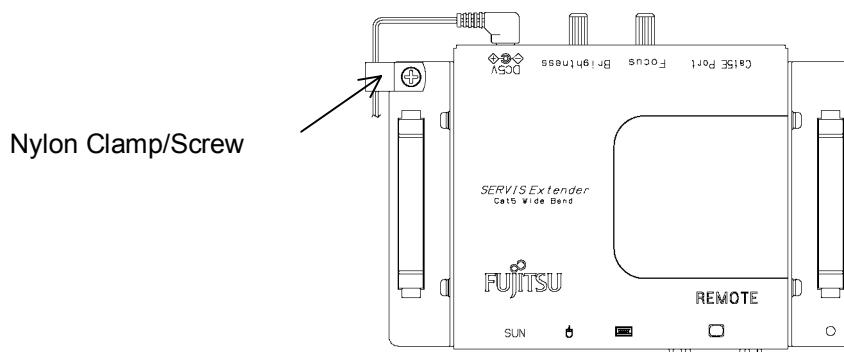
- (1) Remove the cover screws from the side of Receiver Unit.  
(The removed screw will not be used, but should be kept.)



- (2) Fix the bracket using the provided screws to the side of the Receiver Unit. Then insert the provided magnet into the matching hole in the L type bracket.



- (3) Attach the other L type bracket and magnet to the other side of the Receiver Unit, as described in step 2.
- (4) Attach the Receiver Unit to the side of a metallic table with the L type bracket magnets. Fix the power cable using nylon clamp and screw (both provided) to prevent the cable unplugging, if necessary.

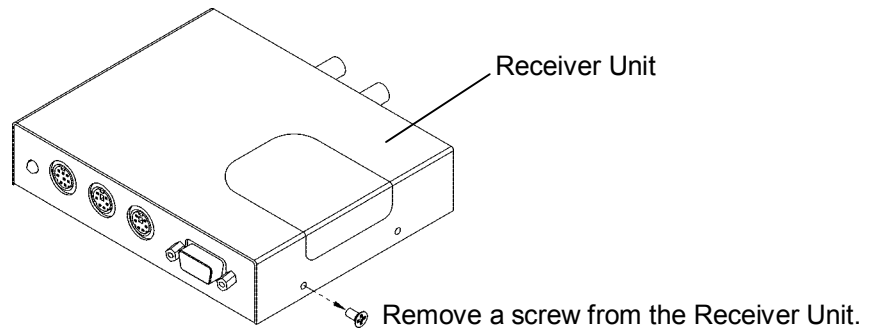


---

## 9.2 Attaching the Box Type Bracket

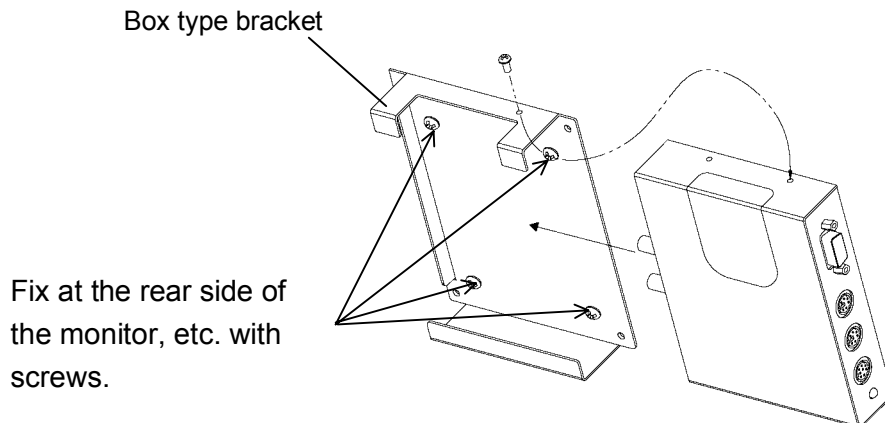
Note: The following description applies to the Transmitter Unit.

- (1) Remove a cover screw from the side of Receiver Unit.  
(The removed screw will not be used, but should be kept.)



- (2) Fix the bracket using the provided screws to the back of the monitor, etc. Then fix the Receiver Unit to the box type bracket with a screw in the cover screwhole cleared in step 1.  
If the rubber feet attached to the bottom of the Receiver Unit hit against the screws which attach the bracket to the monitor, remove the rubber feet and shift them to a location that does not cause problems.

Be careful not to tear off a nail when removing the rubber feet.



- (3) Bundle the power cable with other cables (monitor cable, etc.) using the provided cable tie to prevent the power cable from unplugging.

Note When the box type bracket is used, the nylon clamp cannot be used to fasten the cable.

---

## 10. Removing the Cables

---

For all equipment that is affected, unplug the power cables from the power outlets, then remove each cable.

## 11. Cleaning the Cat5 Wide Band

---



Turn off the power and unplug the power cable from the Cat5 Wide Band connector. Do not use cleansers that contain abrasives, or such organic solvents as benzene or thinner, or disinfectant alcohol.

Do not apply water and cleanser or spray type cleaners directly to the Cat5 Wide Band. If liquids enter the interior of the Cat5 Wide Band it may result in problems or damage.

---

Wipe the Cat5 Wide Band and monitor with a dry cloth. If the dirt is excessive, wipe it off with a soft cloth that has been thoroughly wrung out after being dipped in household cleanser diluted with water. Remove dust with a soft brush.

## 12. Technical Specifications

Item		Specification	
Name		LOCAL (Transmitter Unit)	REMOTE (Receiver Unit)
LED Display	POWER (green)	1	1
Interface	Keyboard	PS/2 keyboard interface (OADG-compliant)	
	Mouse	PS/2 mouse interface (OADG-compliant)	
	SUN Serial	SUN keyboard/mouse-compliant	
	Transmitter and receiver connector	FUJITSU COMPONENT original specification (RJ45 (Cat5) 8 Line)	
Console Port	Keyboard	PS/2, Mini DIN 6-Pin female x 1 (purple)	PS/2, Mini DIN 6-Pin female x 1 (purple)
	Mouse	PS/2, Mini DIN 6-Pin female x 1 (green)	PS/2, Mini DIN 6-Pin female x 1 (green)
	Monitor	Mini D-Sub 15-Pin female x 1 (blue)	Mini D-Sub 15-Pin female x 1 (blue)
Computer Port		Mini D-Sub 15-Pin female x 1 (black)	_____
Distance Between Transmitter and Receiver Units		Up to 300m	
Monitor Resolution, Refresh Rate		1600 x 1200 (Max.), 75Hz	
Power Supply/ Power Consumption		DC5V /0.7A (DC)	DC5V /0.7A (DC)
Operating Environment Temperature/Humidity		0 to 40°C, 10 to 80%RH (no condensation) *Conforms to computer operating conditions	
Storage Temperature		-20 to 60°C	
Composition		Painted (Ivory) Metal case	
Size (W × D × H) Unit: mm		110 x 110 x 25 (excluding rubber feet and protrusions)	110 x 100 x 25 (excluding rubber feet and protrusions)
Weight		About 330g	About 330g
Accessories		<ul style="list-style-type: none"> <li>• User's Manual x 1</li> <li>• AC Adapter x 1 (Receiver Unit)</li> <li>• AC Cable x 1 (Receiver Unit)</li> <li>• Nylon Clamp x 1 (prevents AC adapter detachment)</li> <li>• Screw x 1 (to attach the nylon clamp)</li> <li>• Cable Tie x 1 (prevents AC adapter detachment)</li> <li>• Masking Sticker x 1 (for DIP switch mask)</li> <li>• Adjustment Stylus x 1 (controls color drift)</li> <li>• Ferrite Core x 1 (attach to the Cat5 cable)</li> </ul>	

● **Optional Accessories**

Item	Product ID	Remark
CRT composite cable (0.7m)	NC14000-B601	PS/2 cable
CRT composite cable (0.7m)	NC14000-B101	USB cable
CRT composite cable (0.7m)	NC14000-B201	SUN cable

Item	Product ID	Remark
Cat5E cable	C5E-30	Sky blue 30m cable
Cat5E cable	C5E-50	Sky blue 50m cable
Cat5E cable	C5E-70	Sky blue 70m cable
Cat5E cable	C5E-100	Sky blue 100m cable
Cat5E cable	C5E-150	Sky blue 150m cable
Cat5E cable	C5E-200	Sky blue 200m cable
Cat5E cable	C5E-300	Sky blue 300m cable

Item	Product ID	Remark
SUN compatible adapter	NC14003-T042/ADP	For SUN monitor 13W3 (male) → HD15 (female) converter adapter

Item	Product ID	Remark
Attachment bracket (L type)	NC14004-B370	
Attachment bracket (box type)	NC14004-B371	

Item	Product ID	Remark
AC adapter	NC14003-T055	AC cable included

## 13. Troubleshooting

Symptom	Cause	Remedy
No image displayed on monitor	AC cord has come unplugged from either the outlet or the Cat5 Wide Band	Connect the AC cord.
	Monitor is set to a resolution that is not supported.	Set the monitor to a supported resolution.
	Computer not sending image signal (in suspend status)	Input an image signal from the computer.
Keyboard/ Mouse functions improperly or not at all.	Improper key repeat settings	At the computer, change the key repeat speed setting.
	Unsupported keyboard/mouse connected	Swap the peripheral in question for a supported keyboard/mouse.
	The keyboard or mouse is in use by another unit. (This disables keyboard and mouse operation)	Wait until the operation has been concluded on the other unit.
	Transmitter Unit is connected to a KVM switch or console splitter	Connect the AC adapter to the power connector of the Transmitter Unit. (Refer to page 15)
Poor image quality (Ghosts, blurry letters, etc.)	Poor connection/defective cable	Confirm that the connector is connected properly. Use a different cable. If the problem goes away, exchange the defective cable with a good one.
	Image quality is poor	Adjust the image focus on the Receiver Unit. (Refer to page 10)
Image is not centered on screen.		Adjust the monitor.
Cat5 Wide Band stopped working suddenly.	Cat5 Wide Band connection terminated	Check the connection. Reboot the Cat5 Wide Band.
	Cat5 Wide Band stopped functioning (froze)	Turn the whole system power back on. (Refer to the Point on page 12)
	Error occurred at computer	Remedy the computer error.

Note

Note

---

**SERVIS Extender Cat5 Wide Band [FE-1000CW]**

**User's Manual**

Published                  June 2005  
Published by FUJITSU COMPONENT LIMITED

Printed in Japan

---

- The contents of this manual may be modified for improvements without prior notice.
- Fujitsu bears no responsibility for infringement of patent or other rights of third parties ascribable to the use of data in this manual.
- Reprinting of this manual without permission is prohibited.

# FUJITSU



**This manual is made of recycled paper.**

050516 (NC14004-L555\_R01)