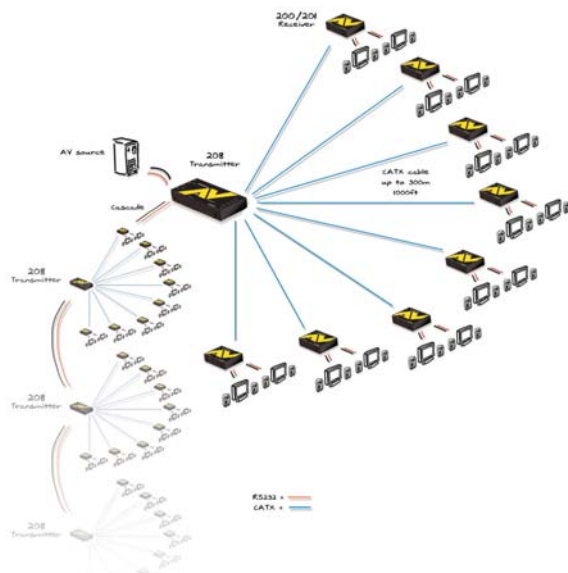




ADDERLINK AV200 Series

Distribute crisp, clear and bright VGA, CD quality audio and transparent RS232 from a single PC to 64 screens up to 300m/1000ft from a play out device. For Digital Signage and Media Streaming applications.

The AdderLink AV200 Series is a range of audiovisual extenders delivering high video resolutions, superb quality audio and RS232 up to 300m using standard CATx cable (x=5,5e,6,7). The innovative design allows for flexible audiovisual distribution, management, control and interaction with the display devices which can be expanded to grow in line with project developments. Consisting of 5 interchangeable units, the AdderLink AV200 Series makes the design of digital signage and narrow casting applications cost effective, flexible and easy to plan.



AdderLink AV 200T transmitter and AdderLink AV200R

- Sold individually or as a pair (AdderLink AV 200R)
- Local port on transmitter to connect local screen, speakers and serial or for cascading
- AdderLink AV 200R duplicates input from transmitter allowing for 2 video and 2 audio outputs
- Control or manage either screen via RS232

AdderLink AV 204T and AdderLink 208T transmitters

- Extends a single high-resolution video, high fidelity audio and RS232 signals to 4 (AV204T) or 8 (AV208T) different receivers
- Local port to connect local screen, speakers and serial or to cascade to other AdderLink AV 204T or AV 208T transmitter units

AdderLink AV 201R receiver unit

- Duplicates input from transmitter allowing for 2 video, 2 audio outputs
- Control or manage either screen via RS232

FEATURES

Video performance

Industry leading resolutions of 1600x1200 are achievable at 200m (650ft) and 1280x1024 at 300m (1000ft).

Display Management via RS232

Included with AV200 transmitters, the Display Management Software gives users control and interaction with display devices over the integrated RS232 ports. This allows for bi-directional and automated communication with individual screens, groups of screens or all screens at the same time.

Video compensation and brightness control

The AdderLink AV units can apply a high level of signal compensation and brightness correction that ensures the image is crisp, clear and bright over long distances.

Audio

Digital audio transmission delivers high fidelity; click-less audio for speakers and microphones.

Integrated DeSkew

The AdderLink AV201R has integrated skew correction with a 300MHz bandwidth, meaning that it is more than powerful enough to counteract the negative effects of the skew.

Rack options

Both transmitter and receiver units can be used standalone or can be mounted into a 3U chassis, (up to 16 200T, 200R and 201T units or 8 204T and 208T units).



ADDERLINK AV200 Series



High-resolution video and superb quality audio distribution for Digital Signage and Media Streaming applications.

TECHNICAL SPECIFICATIONS

Video resolutions	1600x1280 at distances up to 200m (650ft), 1280x1024 at distances up to 300m (1000ft)
Extension distance (x=5,5e,6,7)	Up to 300m (1000ft) using CATx
Optional accessories	ALAV - Series rack mount chassis (part code: ALAVRMK-CHASSIS), rack mount plate for local/remote unit (part codes: ALAV-RMK-FACIA). Adder 4amp power supply and 'squid' cable to power 4 ALAV units (part code ALAV-PSU4)
Audio	Transmitted as digital signals to ensure high fidelity and low noise levels
Connectors	AV200T Video In/Out: HDD15. Audio In/Out: 3.5mm audio jack. RS232 in: DB9F out: DB9M CATx: 1 x RJ45 connector. Power: 2.5mm DC jack AV200R Video Out: 2 x HDD15. Audio Out: 2 x 3.5mm audio jack. RS232 Out: DB9M* CATx: 1 x RJ45 connector. Power: 2.5mm DC jack AV201R Video Out: 2 x HDD15. Audio Out: 2 x 3.5mm audio jack. RS232 Out: DB9M* CATx: 1 x RJ45 connector in. Power: 2.5mm DC jack AV204T Video In/Out: HDD15. Audio In/Out: 3.5mm audio jack. RS232 in: DB9F out: DB9M CATx: 4 x RJ45 connector. Power: 2.5mm DC jack AV208T Video In/Out: HDD15. Audio In/Out: 3.5mm audio jack. RS232 in: DB9F out: DB9M CATx: 8 x RJ45 connector. Power: 2.5mm DC jack
	* AV200R and AV201R units only have single RS232 interface but cable is supplied allowing connection to two screens
Physical	AdderLink AV200T, 200R and 201R units: Metal case (steel), 98mm x 95mm x 25mm AdderLink AV204T, AV208T units: Metal case (steel) 185mm x 95mm x 51mm
Power supply	100-240VAC, 50/60Hz
Operating temperature	0°C to 40°C / 32°F to 104°F
Approvals	CE, FCC

Local, Remote and Global Computer Control



ADDER CORPORATION
29 Water Street, Newburyport, MA 01950 USA
Tel: +1 888 932 3337 Fax: +1 888 275 1117
email: usasales@adders.com www.adders.com

ADDER TECHNOLOGY LIMITED
Technology House, Trafalgar Way, Bar Hill, Cambridge, CB23 8SQ UK
Tel: +44 (0)1954 780044 Fax: +44 (0)1954 780081
email: sales@adders.com www.adders.com