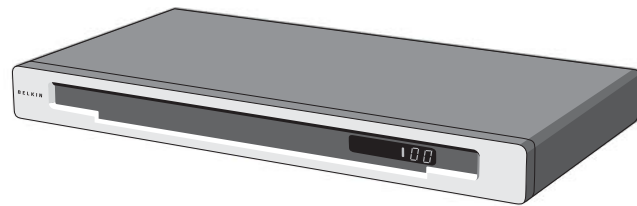


OmniView™

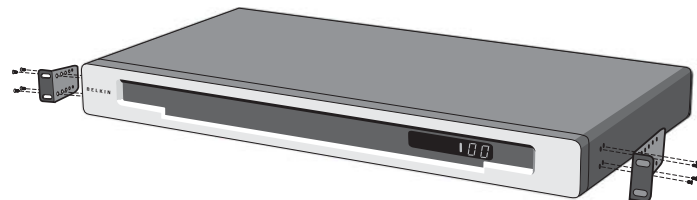
ENTERPRISE Quad-Bus Series 8-Port EXPANDER

Quick Installation Guide

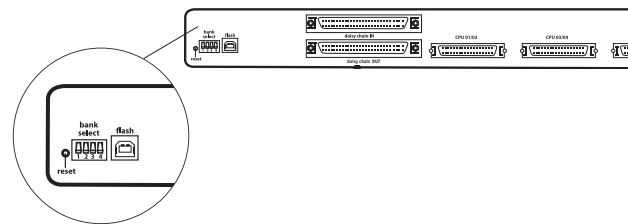
STEP 1: Remove the contents from the box.



STEP 2: Install the rack-mount brackets and place the unit on a rack.

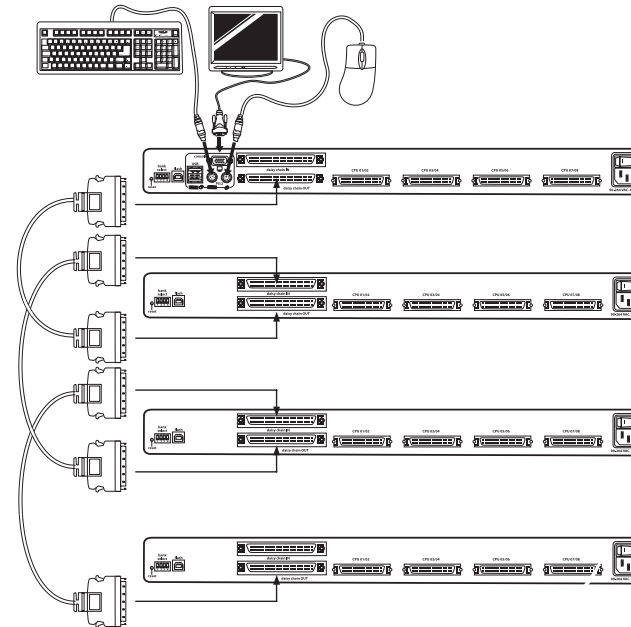


STEP 3: Set the BANK address for the Expander.

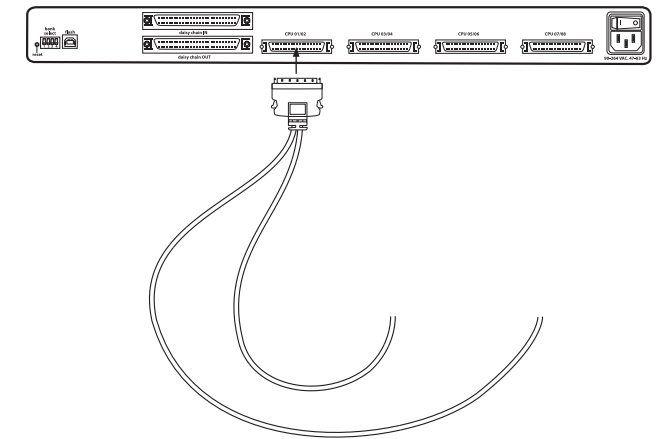


DIP SWITCH #				BANK ADDRESS
1	2	3	4	
UP	DOWN	DOWN	DOWN	BANK 01
DOWN	UP	DOWN	DOWN	BANK 02
UP	UP	DOWN	DOWN	BANK 03
DOWN	DOWN	UP	DOWN	BANK 04
UP	DOWN	UP	DOWN	BANK 05
DOWN	UP	UP	DOWN	BANK 06
UP	UP	UP	DOWN	BANK 07
DOWN	DOWN	DOWN	UP	BANK 08
UP	DOWN	DOWN	UP	BANK 09
DOWN	UP	DOWN	UP	BANK 10
UP	UP	DOWN	UP	BANK 11
DOWN	DOWN	UP	UP	BANK 12
UP	DOWN	UP	UP	BANK 13
DOWN	UP	UP	UP	BANK 14
UP	UP	UP	UP	BANK 15

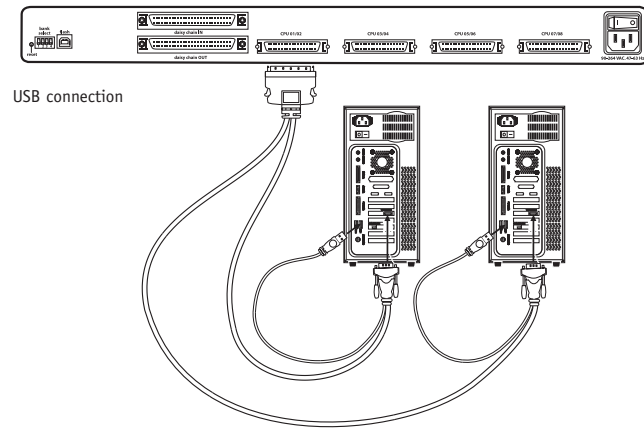
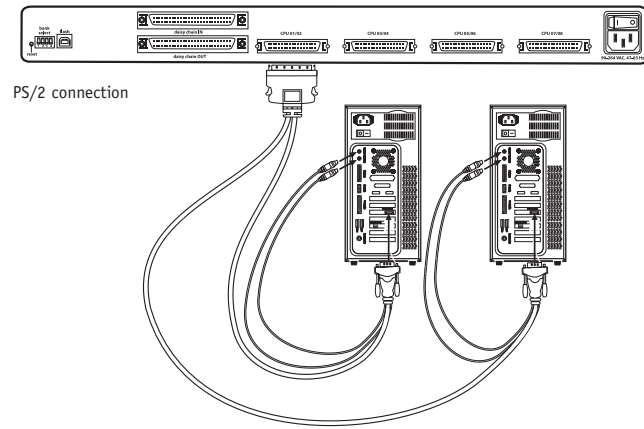
STEP 4: Attach the Daisy-Chain Cable (Belkin part number F1D9402-XX) to an available daisy-chain port of the previous KVM Switch or Expander, making sure that the daisy-chain cables are only connected in an “in-to-out” or “out-to-in” configuration.



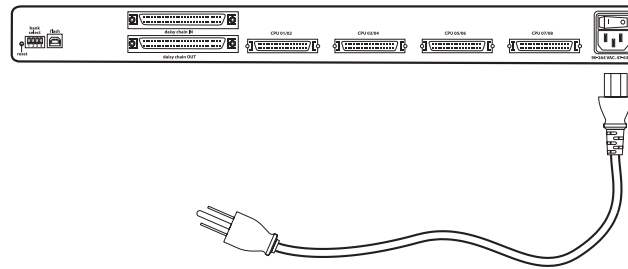
STEP 5: Attach the Enterprise Series Dual-Port KVM Cables to the Expander (Belkin part number F1D9400-XX or F1D9401-XX).



STEP 6: Connect the other end of the KVM Cable to the servers.



STEP 7: Connect the IEC power cable to the Expander and power up the unit.



STEP 8: Power up the connected servers. Check for keyboard, video, and mouse function on the console of your primary switch.



Belkin Corporation
310.898.1100
Compton • CA • USA

Belkin Components, Ltd.
+44 (0) 1933 35 2000
Rushden • United Kingdom

Belkin, Ltd.
+61 (0) 2 4372 8600
West Gosford • Australia

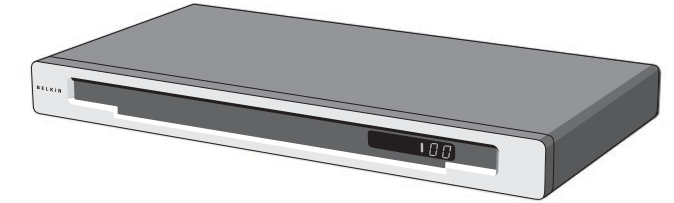
© 2003 Belkin Corporation. All rights reserved. All trade names are registered trademarks of respective manufacturers listed.

P74346



OmniView™ KVM Expander

Add ports to ENTERPRISE Quad-Bus Series KVM Switches



Quick Installation Guide ENTERPRISE Quad-Bus Series

F1DE008C
F1DE016C