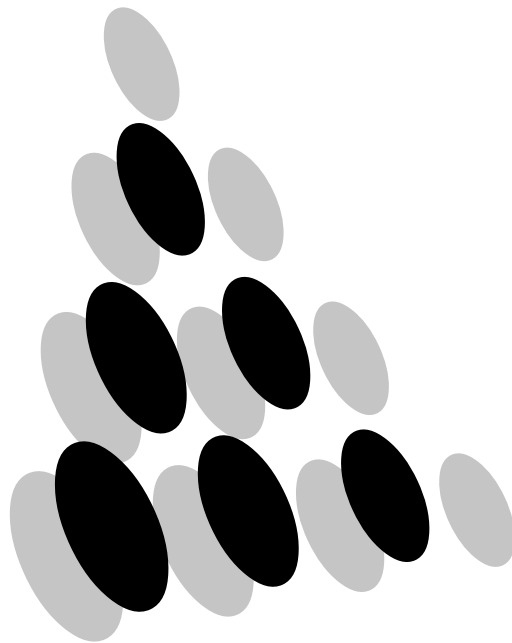


**Console Drawer (FD-1000AT)  
(for PC SERVER)  
User's Manual**



**FUJITSU**

This Class [A] digital apparatus complies with Canadian ICES-003.  
Cet appareil numérique de la classe [A] est conforme à la norme NMB-003 du Canada.

Declaration of Conformity Model Number : FD-1000AT series  
Trade Name : CONSOLE Drawer  
Responsible party : FUJITSU COMPONENT AMERICA, INC.  
Address : 250 East Caribbean Drive, Sunnyvale, CA 94089  
Telephone number : (408) 745-4900  
This device complies with Part 15 of the FCC Rules. Operation is subject to the following two conditions : (1) this device may not cause harmful interference, and (2) this device must accept any interference received, including interference that may cause undesired operation.

This Product is designed, developed and manufactured as contemplated for general use, including without limitation, general office use, personal use, household use, and ordinary industrial use, but is not designed, developed and manufactured as contemplated for use accompanying fatal risks or dangers that, unless extremely high safety is secured, could lead directly to death, personal injury, severe physical damage or other loss (hereinafter "High Safety Required Use"), including without limitation, reaction core control in nuclear power facilities, aircraft autopilot flight control, air traffic control, operation control in mass transport control systems, medical instruments for life support systems, missile launching control in weapon systems. You shall not use this Product without securing the sufficient safety required for the High Safety Required Use. If you wish to use this Product for High Safety Required Use, please consult with our sales person representatives in charge before such use.

Linux is a registered trademark or trademark of Linus Torvalds in the United States of America and other countries.

The name and logo TurboLinux are trademarks or registered trademarks of TurboLinux, Inc.

Caldera System and OpenLinux are trademarks or registered trademarks of Caldera Systems Inc.

Red Hat and any trademarks or logos based on Red Hat are the trademark or registered trademarks of Red Hat, Inc. in the United States of America and other countries.

Other names such as product names are the registered trademarks or trademarks of their respective companies.

All Rights Reserved, Copyright© FUJITSU COMPONENT LIMITED 2003

---

---

# Contents

---

<b>PREFACE .....</b>	<b>1</b>
Conventions .....	1
Packing List .....	1
<b>IMPORTANT NOTICES .....</b>	<b>3</b>
Safety .....	3
Precautions.....	3
Disposal.....	4
Moving Console Drawer .....	4
<b>INSTALLATION .....</b>	<b>5</b>
Installing Guide Rails.....	5
Installing Console Drawer .....	7
Installing the 4-port KVM Switch (CRT/KB Switcher).....	8
<b>CONNECTING AND REMOVING CABLES .....</b>	<b>12</b>
Connecting Cables .....	12
Removing Cables .....	12
Connecting to Ports .....	13
<b>OPERATION .....</b>	<b>14</b>
Operating the Console Drawer .....	14
Adjusting the Monitor.....	17
Basic Adjustment Procedure .....	18
Menu Screen Display Example .....	18
Menu Description.....	19
Resolution and Refresh Rate .....	20
Using a Linux Operating System.....	21
Keyboard Operation .....	22
Pointing Device Operation.....	22
The Hot-key and Reset Buttons .....	23
Using CRT/KB Switcher .....	23
Storing Console Drawer .....	24
Cleaning Console Drawer .....	26
<b>TECHNICAL SPECIFICATIONS .....</b>	<b>27</b>



---

## Preface

---

Congratulations on your purchase of the server rack mountable Console Drawer. Using this product will greatly improve the efficiency and functionality of the workspace around your racks. Space that was used in previous layouts can now be used more freely due to our compact sliding module design. The 15-inch TFT monitor has a resolution of 1024 to 768 dots with 16,770,000 colors. Also, it is equipped with a keyboard and 2-button pointing device.

## Conventions

Symbols and terminology that are used in this manual are described below.



This symbol indicates the possibility of physical damage (such as damage to the Console Drawer) or physical injury, which may result if by ignoring this symbol the Console Drawer is operated incorrectly.

---



This logo indicates supplemental information, comments or hints.

---

- Text that is preceded by a number (such as 1.) indicates that the operation must be done in the order indicated.
- Reference to important chapter titles and terminology are in brackets [ ].

## Packing List

Make sure that the items in the following list were included in the shipping package.

- Console Drawer 1 ea.
- Power Cable (2 m) 1 ea.  
(Not included in European configuration [FD-1000AT/E])
- Operation Manual (this manual) 1 ea.
- Warranty 1 ea.  
(Make sure that the warranty includes all the required information.)

We recommend keeping the box and packing material in which the Console Drawer was purchased. They may be required when moving it to another location. If something is missing from the package, contact your place of purchase or a Fujitsu maintenance person.



**CAUTION**

Please note the safety information in [Important Notices].

---

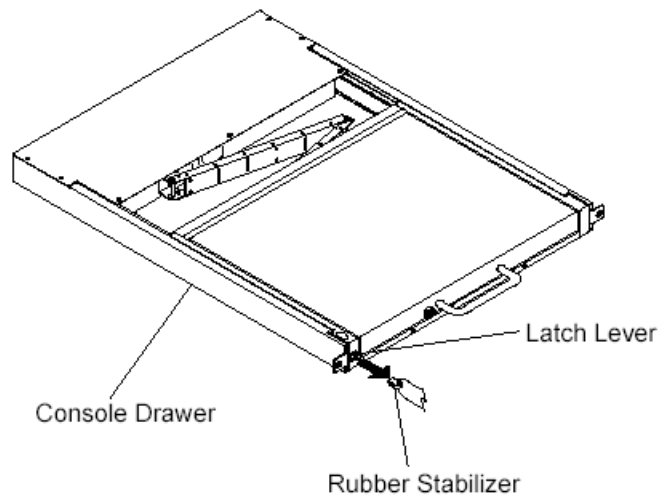
1. Check the package delivered and whether the Console Drawer has been damaged when unpacking.
2. Remove the rubber stabilizer from the front left side of the Console Drawer.

---

## **Point**

The rubber stabilizer is inserted to prevent the Console Drawer from sliding when installing or moving it. Be sure to keep it after finishing the installation for when it needs to be used again.

---



Rubber stabilizer removal diagram

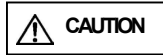
---

## Important Notices

---

This chapter contains cautions that must be taken when operating the Console Drawer and information related to safety. Carefully read this chapter to use the Console Drawer correctly.

### Safety



#### Precautions

This device adheres to the safety regulations related to information processing equipment such as electronic office machines that are used in an office environment. If you have any questions please contact your place of purchase or a Fujitsu maintenance person.

- To prevent extreme bumping or shaking when moving the Console Drawer use the original shipping container or a box similar to it.
- During installation and before using the Console Drawer, carefully read [Installation] and the section about environmental conditions in [Technical Specifications] to use the Console Drawer correctly.
- Moving the Console Drawer from a cold environment to the installation location may cause condensation to occur. Before using the Console Drawer allow it to dry out completely and to reach the ambient temperature of the installation location.
- Make sure that the local power supply voltage is within the acceptable range of the Console Drawer. Make sure that the rated voltage meets the specifications of this device (Refer to [Technical Specifications] and the model plate on this device).
- The power cable for the Console Drawer is specially certified. Do not connect it to anyplace other than a grounded wall outlet.
- Arrange the immediate area around the Console Drawer's power socket and the rack's power outlet so that the plug can be quickly pulled.
- Lay all the cables so that they will not be damaged. Refer to the relevant sections in [Installation] when connecting and removing cables.
- Do not connect or remove the data transmission cables during thunderstorms.
- Do not allow foreign substances (such as necklaces or paperclips) or liquids inside the Console Drawer.
- In an emergency (such as: damage to the housing, parts or cables; or liquid or a foreign object has fallen into the Console Drawer) remove the power cable as soon as possible and contact your place of purchase or a Fujitsu maintenance person.
- Only licensed engineers can repair the Console Drawer. An unlicensed user that opens the Console Drawer and makes incorrect repairs may cause electric shock or fire.
- Avoid using the keyboard when in poor health or for extended periods of time.
- Always hold the connector portion and do not jerk the cables when removing them.
- Avoid operating the Console Drawer with wet hands.

- 
- Do not unplug connectors with wet hands.
  - Do not place such unnecessary items as cups on the top of the Console Drawer.
  - Do not modify or repair the Console Drawer.
  - Only licensed personal can uncouple, remove or switch parts (such as electromagnetic wave devices) which bear a warning mark (such as a lightening bolt).
  - Only the resolution and refresh rate specified in the monitor explanation in [Technical Specifications] can be set. Doing settings other than those noted may damage the monitor. Contact your place of purchase or a Fujitsu maintenance person if you have any questions.
  - To prevent interference it is necessary to adequately isolate the data cables connected to peripheral equipment.
  - Unplug the power plug from the grounded power outlet if there is a power outage.
  - Follow the instructions in the appropriate section in [Operation] when cleaning the server.
  - Keep this manual with the Console Drawer. If you give the Console Drawer to a third party give them this manual also.
  - Do not use the Console Drawer as a foot rest or lean against it with it drawn out. Doing so may unbalance the rack, causing it to fall over.

### **Disposal**

This device is manufactured with metal and plastic parts. Dispose of it according the relevant government regulations.

### **Moving Console Drawer**



#### **CAUTION**

When moving the Console Drawer to a different location, use the box in which it was purchased or a box that protects the product from bumping and shaking. Do not unpack the Console Drawer until the move has been completed.

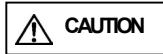
---



---

## Installation

---



Please note the safety information in [Important Notices]. Maintain the area around the equipment when using the Console Drawer (See [Technical Specifications] for more information). Avoid dust, humidity and extreme temperatures. Installation may require more than two people in some situations. Be careful not to pinch your fingers or hands between the guide rails and the Console Drawer.

---

### Installing Guide Rails

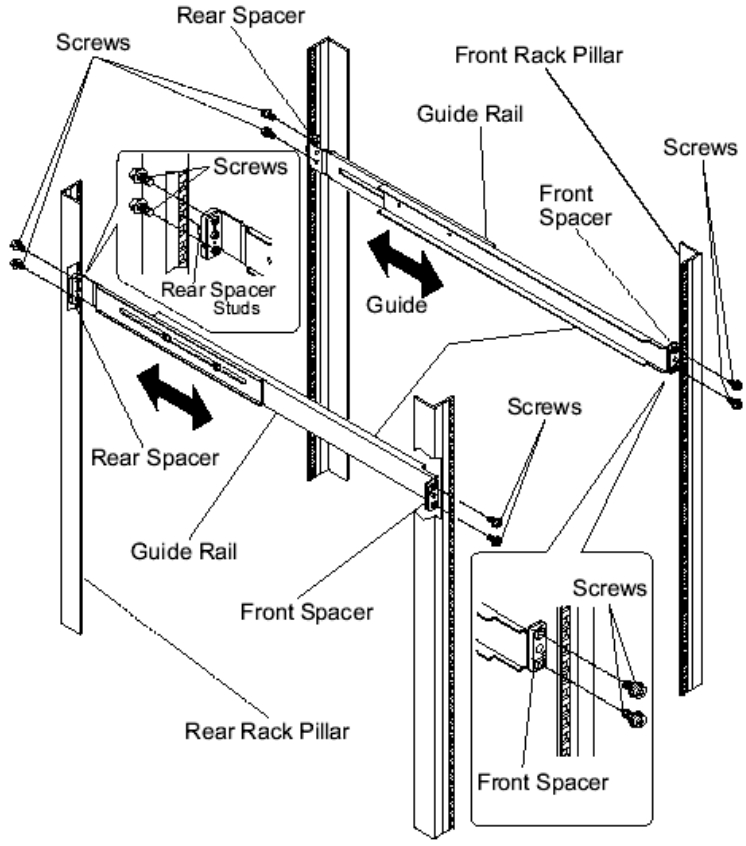
---



Install the guide rails with the guides toward the front so that the Console Drawer can be mounted on them. (Rear Spacers will be at the back)  
See the installing the guide rail diagram on page 6.

1. Insert the rear spacer studs of the guide rails into the holes in the rear rack pillars. Fasten each guide rail with two screws inserted from the outside of the pillar, one into each of the top and bottom holes of the rear spacer.
2. Extend the guide rails to reach the inside of the front rack pillar. Fasten each guide rail in place with two screws, one into each of the top and bottom holes of the front spacer. (Attach the guide rails inside the front/rear rack pillar so that the guides face inwards.)
3. Install the left and right guide rails at the same height.

- Refer to the enclosed manual for details on how to install additional guide rails.



Installing the Guide Rails diagram

---

## Installing Console Drawer

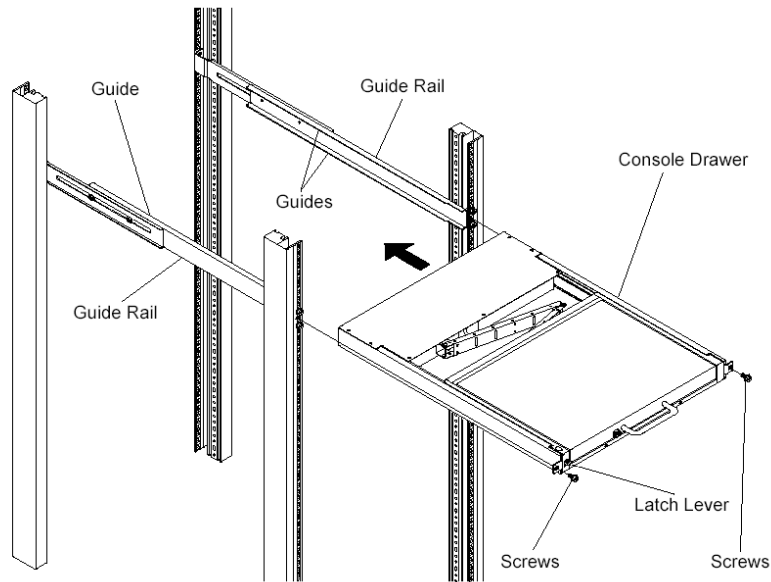
---

### *Point*

Be careful that the latch lever (see page 15) does not come loose. If the latch lever comes loose the Console Drawer may slip. If the Console Drawer does not slide easily into the guide rail or is heavy, lift and insert it with two or more people.

---

1. After installing the guide rails, insert the Console Drawer into the front end of the guide rails.
2. Push the Console Drawer in until it stops, then fasten with two screws, one on each side of the front of the Console Drawer.



Installing the Console Drawer diagram

---

## Installing the 4-port KVM Switch (CRT/KB Switcher)

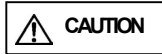
Three methods are used for installing the 4-port KVM switch (Installation Methods 1 - 3). After removing the rubber feet from this device 4-port KVM switch, use the appropriate installation method for this device configuration. Refer to [Connecting to Ports] on page 13 for details on connecting the 4-port KVM switch.

---

### **Point**

The 4-port KVM switch will not fit inside of this device unless the rubber feet have been removed.

---



To avoid electric shocks and/or short circuits, make certain that the power cable of this device is not plugged in.

Since this device can cause injury if it falls or tips over, be certain to only work on a stable surface.

This device contains the components that store and release high voltage electric charges. Only work on this device after checking that it has been electrically discharged.

Some metal edges may be sharp. Be careful to not cut yourself.

To avoid damaging this device, do not place foreign objects (including metal objects, water, and/or liquids) inside it. Also, do not touch except as necessary.

To avoid damage, only licensed engineers should install the 4-port KVM switch.

Philips screwdrivers (large, small) are required to install the Console Drawer. Have these ready before proceeding.

The screws for installation method 2 are not included with the 4-port KVM switch. These four 3 x 6 mm flathead screws must be separately obtained.

---

### Installation Method 1

---

### **Point**

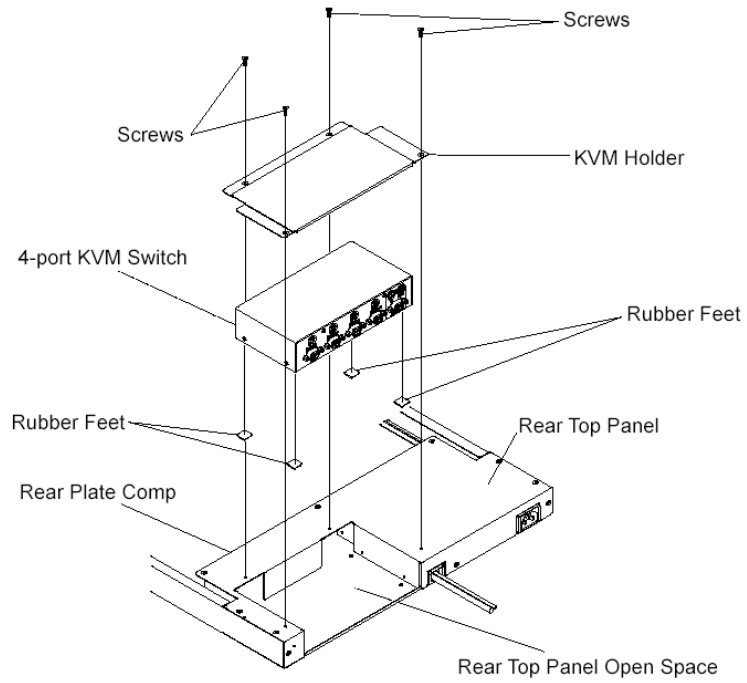
No extra screws are needed.

It is not necessary to remove the Console Drawer from the guide rails if there is sufficient workspace above the unit after it has been attached to the rack.

If the Console Drawer needs to be removed, reverse the [Installing Console Drawer] operation on page 7.

---

- 
1. Remove the four screws that secure the KVM holder in place.
  2. Insert the 4-port switch into the open space in the rear top panel, making sure that the 4-port KVM switch's connectors face out from the rear of the Console Drawer.
  3. Reattach the KVM holder to the rear top panel with the four screws removed in step 1.



Installation Method 1: 4-port KVM switch Assembly Diagram  
(viewed from the left rear)

---

## Installation Method 2

---

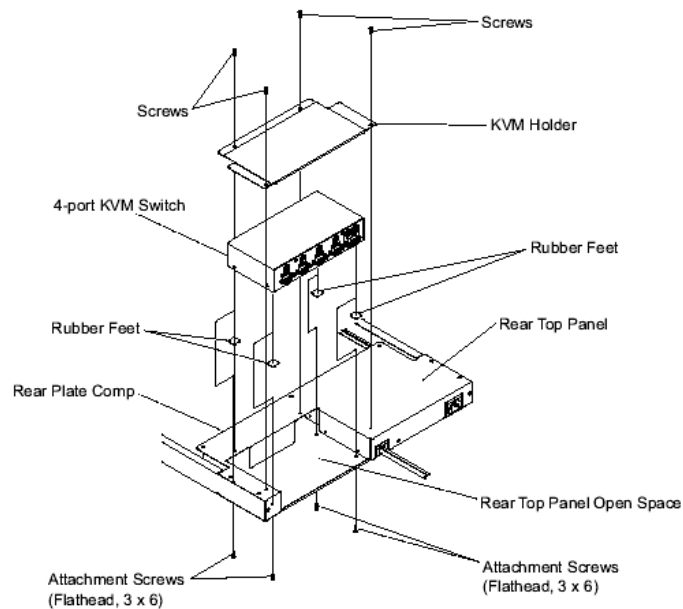
### **Point**

An extra four 3 x 6 mm flathead screws (not provided) are required to fasten the 4-port KVM switch in place.

It is not necessary to remove the Console Drawer from the guide rails if there is sufficient workspace above and below the unit after it has been attached to the rack. If the Console Drawer needs to be removed, reverse the [Installing Console Drawer] operation on page 7.

---

1. Remove the four screws that secure the KVM holder in place.
2. Insert the 4-port switch into the open space in the rear top panel, making sure that the 4-port KVM switch's connectors face out from the rear of the Console Drawer.
3. Fasten the 4-port KVM switch in place with the four new screws inserted from underneath the rear panel.
4. Reattach the KVM holder to the rear top panel with the four screws removed in step 1.



Installation Method 2: 4-port KVM switch Assembly Diagram  
(viewed from the left rear)

---

---

### Installation Method 3

---

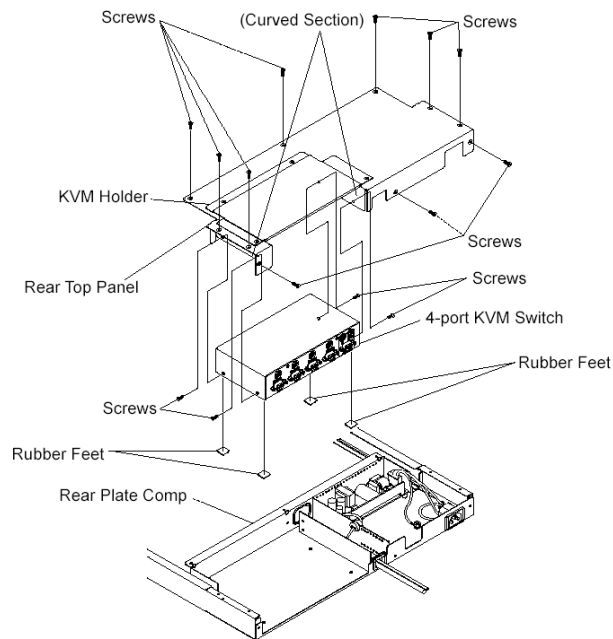
## Point

Rear top panel must be removed, but no extra screws are needed.

Remove the Console Drawer from the rack guide rails by reversing the [Installing Console Drawer] operation on page 7.

---

1. Remove the ten screws that secure the rear top panel in place.
2. Remove the four screws from the left and right sides of the 4-port KVM switch. Insert the 4-port KVM switch under the KVM holder between the two bent down flaps of the rear top panel, making sure that the 4-port KVM switch's will face out from the rear of the Console Drawer. Fasten it in place with the four screws removed in step 2.
3. Reattach the rear top panel with 4-port KVM switch attached to the rear plate Comp using the ten screws removed in step 1.

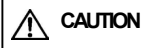


Installation Method 3: 4-port KVM switch Assembly Diagram  
(viewed from the left rear)

---

## Connecting and Removing Cables

---



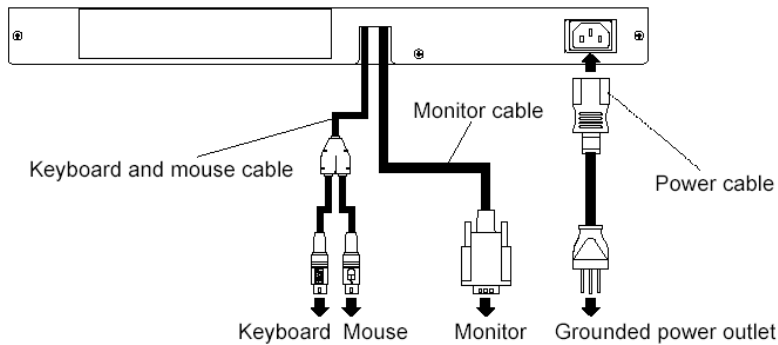
### CAUTION

Read the Console Drawer manual before connecting the cables. Do not connect or remove the cables during a thunderstorm. When unplugging cables hold them by the plug, not the cable. Connect and remove cables in the following order.

---

### Connecting Cables

1. Unplug the power cords, from the power outlets, of all the equipment that is effected.
2. Connect the keyboard cable, mouse cable and the monitor cable to their respective pieces of equipment.
3. Plug the power cable into the Console Drawer.
4. Plug the power cable into a grounded power outlet.



Connecting cables to Console Drawer diagram

### Removing Cables

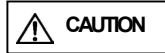
Unplug the power cords, from the power outlets, of all the equipment that are effected, then remove each cable.



---

## Connecting to Ports

(When CRT/KB Switcher is attached to the back of the Console Drawer.)

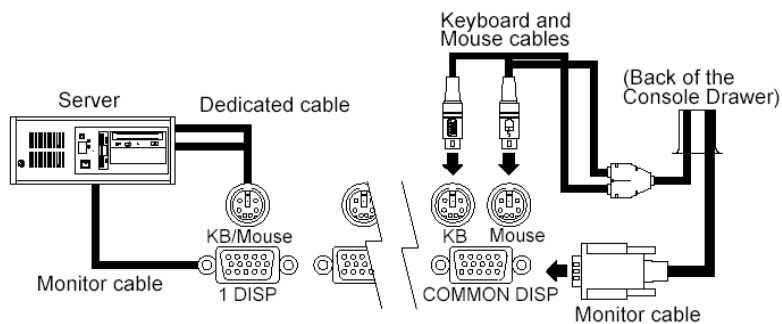


Adhere to the cautions in [Connecting and Removing Cables] when connecting and disconnecting ports. Also, cut the power of the effected equipment while you are working.

---

You can connect as many servers as there are ports.

1. Connect the keyboard cable to the KB port, the mouse cable to the Mouse port and the monitor cable to the COMMON DISP port.
2. Use the dedicated cable to connect the server keyboard port (PS/2) and the mouse port (PS/2) to the KB/Mouse port (6-pin mini DIN).
3. Connect the terminal monitor cable to the 1 DISP port (15-pin mini D-SUB).



Connecting ports diagram

---

## Point

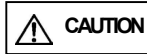
If you are using a separate CRT/KB switcher, rather than the back of the Console Drawer, refer to the operation manual for the CRT/KB switcher.

---

---

## Operation

---



### CAUTION

Pull the Console Drawer toward slowly until the slide rails lock. If they do not lock, the weight of the Console Drawer may cause it to move.

Be careful not to pinch your hand when doing such activities as pulling or pushing the slide module and opening and closing the LCD.

---

## Operating the Console Drawer

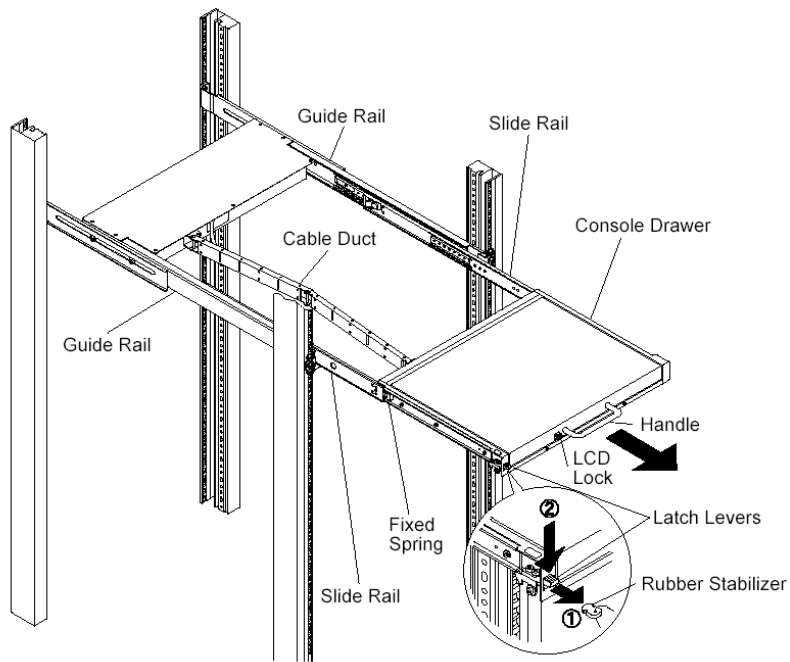
1. If the rubber stabilizer has not been removed yet, remove it now.
2. Push down on the latch lever on the front left side of the Console Drawer. Pull out the Console Drawer until it clicks.

---

## *Point*

Before pulling it out, make sure that the two screws on the front of the Console Drawer are tightly fixed to the rack.

---



Pulling out the slide module diagram

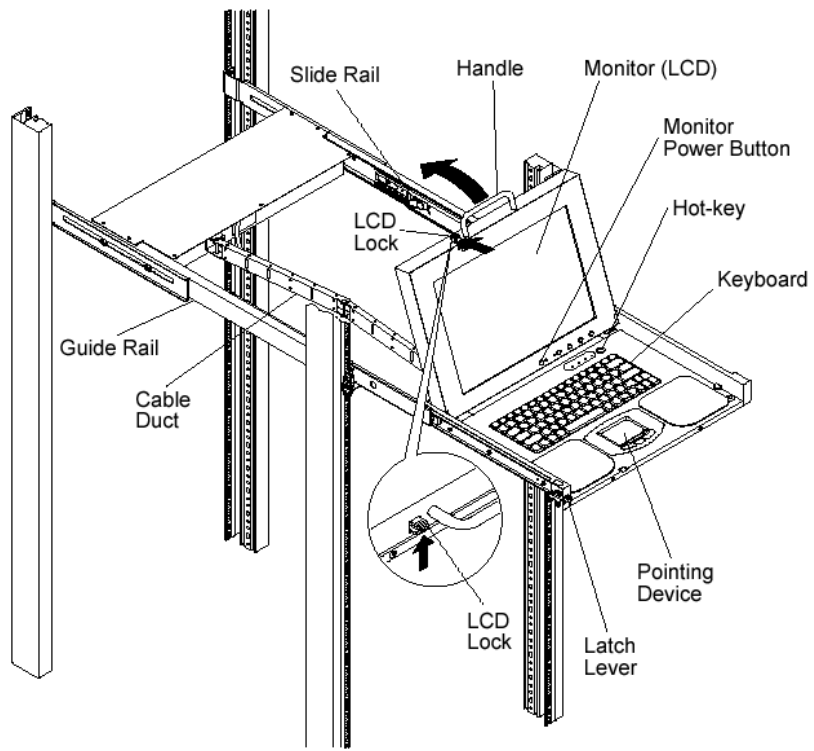
3. Push up on the LCD lock on the left side of the handle, and then grasp the handle and open the top of the monitor.
4. Turn on the power by pushing the POWER button.

---

**Point**

Open the monitor completely.

---

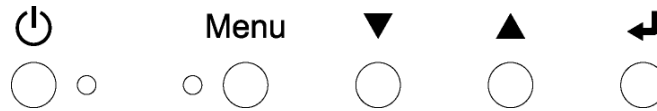


Opening the LCD diagram

---

## Adjusting the Monitor

The five buttons and two LEDs on the monitor are explained in order from left to right.



**Power button:** Push this button to turn on the power to the monitor. Also, pushing this button while the monitor is on cuts the power to the monitor.

**Power lamp (green):** This lamp lights when the power to the monitor is on and goes out when the power to the monitor is off.

**Indicator lamp (orange):** This lamp lights when the monitor is in energy-saving mode.

**Menu button:** Push this button to adjust the monitor.

**▼Button:** Push this button when selecting downward and to change values in a decreasing direction.

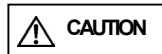
**▲Button:** Push this button when selecting upward and to change values an increasing direction.

**↵Button:** Push this button to select or enter things.

---

### **Point**

You can eliminate screen noise by adjusting the **PH** PHASE on the setting menu.



Be careful when applying a strong force to the equipment when the Console Drawer is pulled out and the monitor is opened and being used, as there is a risk that the rack may fall over.

Do not strongly press on the monitor's screen, scratch it with sharp objects or place magnetic objects near it. Doing so may damage the monitor.

---

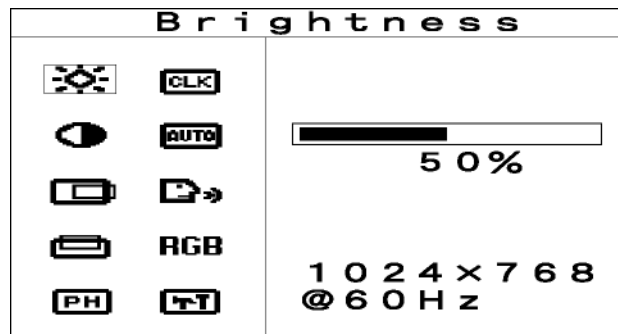
---

### Basic Adjustment Procedure

1. Push the menu button to open the menu.
2. Select the item to be adjusted with the ▼ button and the ▲ button.
3. Switch to the various adjustment screens with the ⏪ button.
4. Change setting values with the ▼ button and the ▲ button.
5. Apply setting values and return to the menu screen with the ⏩ button.
6. Push the menu button to close the menu. (The menu button automatically closes if no button operations are done for a set time.)












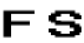



\*. **AUTO** and **FS** are automatically set after the ⏩ button is pressed.

### Menu Screen Display Example



---

### Menu Description

Symbol	Displayed term	Adjustment details
	Brightness	Adjust the brightness.
	Contrast	Adjust the contrast.
	H.Position	Adjust the horizontal position of the image.
	V.Position	Adjust the vertical position of the image.
	Phase	Adjust the phase (eliminate screen noise).
	Clock	Adjust the width of the display.
	Auto Setup	Adjusts automatically.
	Language	Select the language used for the menu.
	Color	Adjusts the color.
	Special	Press  to change the settings shown below.
	Factory Setting	Return to factory default status.
	DOS Mode	Switch between 640 and 720 of the horizontal resolution in DOS mode.
	Video Level	Adjust the level of the input signal.
	Zoom Sharpness	Adjust the focus.

---

**Resolution and Refresh Rate**

Resolution	Horizontal frequency (KHz)	Vertical frequency (Hz)	Mode
600 × 480	31.47	60.0	VESA
	37.86	72.0	
	37.5	75.0	
800 × 600	37.9	60.0	
	48.1	72.0	
	46.9	75.0	
1024 × 768	48.4	60.0	
	56.5	70.0	
	60.0	75.0	



---

## Using a Linux Operating System

---



Carefully read the cautions on page 16 to correctly set and use the Console Drawer with a Linux operating system.

---

### Precautions when using the Caldera OpenLinux Server 3.1.1

#### Installation Precautions

When using Caldera OpenLinux Server 3.1.1 with this unit, immediately after installation X Windows may fail at startup with the following message:

```
INIT : rc.gui : /opt/kde2/bin/kdm or X11 startup problem !
        For X11, try running 'kxconfig' as root ...
INIT : Switching to runlevel:3
INIT : Sending processes the TERM signal press <return> to continue.
```

Follow the procedure listed below to reinstall X Windows so that it will start normally.

- Startup the system using the installation CD, then select the installation mode listed below to begin the installation.
  - Standard install mode
- Select " Programmable up to (MHz):" as the mode clock on the " Select Video Card " screen.
- The values that should be set for the " Select Video Card " screen are as follows:

Resolution	Refresh	Depth	Horiz. Sync	Mode Clock
1024 x 768	70 Hz	8-32 bpp	56.5 KHz	75 MHz

(When all items except the resolution show " Not available ", set the resolution to "1024 x 768")

---

## Keyboard Operation

Full keyboard operation is possible by working with the **Fn** key.

## Pointing Device Operation

Lightly touch or tap the operation surface to operate the pointing device.

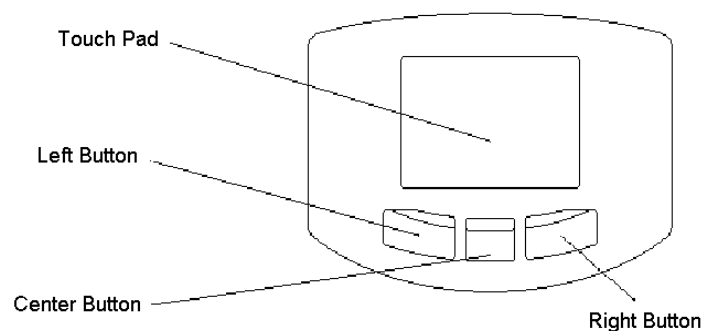
Moving the pointer: Just lightly touch the operation surface in the direction you want to move the cursor.

Single click: Lightly tap the operation surface once, or click the left button once.  
Double click: Lightly tap the operation surface twice, or click the left button twice.



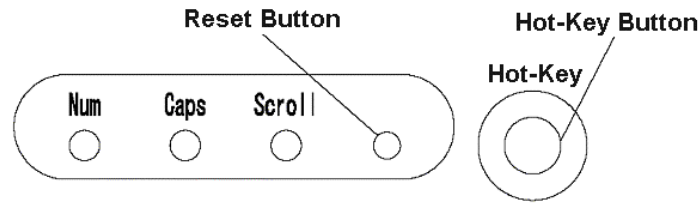
### CAUTION

1. The pointing device has been designed to be operated with one finger, do not use it in the following ways:
    - 1) while wearing gloves;
    - 2) with a pen, ballpoint pen or pencil etc;
    - 3) with two or more fingers;
    - 4) operating while something is placed on the operation surface.
  2. Normal operation may become impossible if the operation surface gets wet such as when there is high humidity or the operator's hands are damp or sweaty. Thoroughly dry or wipe the operation surface before use.
  3. Do not do operations with pointed metal objects such as pens as it may damage the pointing device.
- 



---

## The Hot-key and Reset Buttons



### Hot-key Button

Outputs the [Ctrl] + [Alt] + [Shift] key Make/Break code. This will also be the Hot-key mode (OSD display) when connected to a KVM switch.

### Reset Button

Resets the keyboard and mouse.

KVM switch, keyboard and mouse will be reset if connected to a FS-10XX Series KVM switch.



### CAUTION

KVM Switch Reset is only valid with the following series: FS-1004, 1008, and 1016.

---

## Using CRT/KB Switcher

Even if the settings are the same, the image position may be different when using various types of CRT controllers when setting up multiple servers. Generally resolution and refresh rate (vertical frequency) are the same for all servers, therefore just a set of one type of parameters supports these settings, which are stored for the screen. Displays on other servers are effected by correcting an on-screen image that has shifted.

To correct shifted displays, change the following settings.

1. Set the refresh rate of servers that have displays with incorrect images to a different value.
2. Select the best screen display and the save it.

As multiple refresh rates for resolution can generally be set, you can use multiple options for the screens.

---

## Storing Console Drawer

The Console Drawer can be stored in the rack when a monitor and keyboard are not needed.

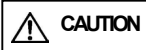
---

### **Point**

Slide the Console Drawer in and out of the rack slowly.

---

1. Push the monitor power button to turn off the power to the monitor.
2. Hold the handle and slowly close the monitor. Be sure that the LCD lock catches.
3. Push the locking springs on both sides of the slide rail and slide the Console Drawer into the rack. Be sure the latch lever catches.



#### **CAUTION**

Be careful not to pinch your fingers or hands in the guide rails, slide rails, or the Console Drawer itself when storing the Console Drawer. If the latch lever is not set the Console Drawer may slide out if the rack is moved.

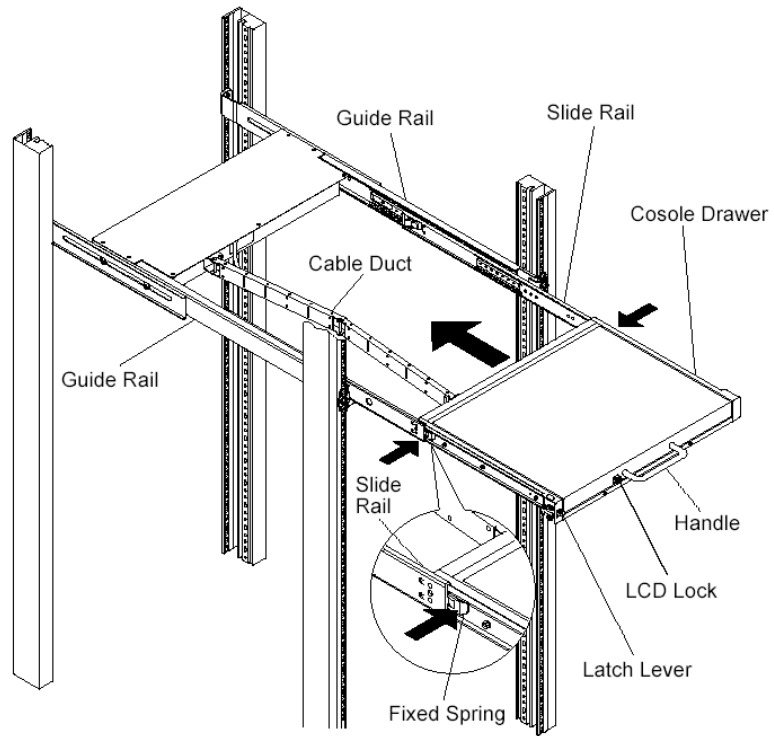
---

---

### **Point**

We recommend turning off the monitor's power when it is not in use, to conserve electricity.

---



Inserting the slide module diagram

---

## Cleaning Console Drawer

---

**CAUTION**

Turn off the power and unplug the power cable from the power socket. Do not use cleansers that contain abrasives; or such organic solvents as benzene or thinner; or disinfectant alcohol. Do not apply water and cleanser or spray type cleaners directly to the Console Drawer. If liquids enter the interior of the Console Drawer it may result in malfunctions or damage.

---

Wipe the Console **Drawer and monitor** with a dry cloth. If the dirt is excessive, wipe it off with a soft cloth that has been thoroughly wrung out after being dipped in household cleanser diluted with water.

Remove dust with a soft brush.

Clean **the keyboard and pointing device** with a sterile cloth.

Lightly wipe the monitor screen with a soft dry cloth such as gauze. Remove dust with a soft brush.

---

## Technical Specifications

---

Part No.	NC14003-T552/US (US configuration) NC14003-T552/UK (UK configuration) NC14003-T552/DE (German configuration) NC14003-T552/FR (French configuration) NC14003-T552/IT (Italian configuration) NC14003-T552/ES (Spanish configuration) NC14003-T552/FI (Finnish/Swedish configuration) NC14003-T552/CH (Swiss configuration) NC14003-T552/NO (Norwegian configuration) NC14003-T552/DK (Danish configuration) NC14003-T552/BE (Belgian configuration) NC14003-T552/PT (Portuguese configuration) NC14003-T552/HU (Hungarian configuration) NC14003-T552/CZ (Czech configuration)
• Power Specifications	
Rated voltage range:	100 - 240V AC
Frequency:	50/60Hz
Rated current:	100V/0.4 A, 200V/0.2 A
• Size	
Main part:	(W) x (D) x (H)
(1) Slide rail contracted	485 mm x 642 mm x 42 mm
(2) Slide rail extended	485 mm x 1117 mm x 42 mm
(3) (2)+the LCD are fully opened	485 mm x 1077 mm x 345 mm
• Weight:	12.0 Kg
• Required Environment	
Operating Temperature:	15 - 35 °C (Avoid condensation during use.)
According to the server environment.	
• Monitor	
Panel monitor:	15" TFT color LCD
Resolution:	Max. horizontal 1024 (dots) x vertical 768 (line)
Pitch:	0.297 x 0.297mm
Refresh rate:	Max. 75Hz
Colors: Max.	16,777,216 (dithering)
Brightness:	250 cd/m <sup>2</sup>
Connector:	mini D-SUB 15-pin (analog RGB)
Power consumption:	Max. 22 W or less During standby: 3.6 W or less During back right OFF: 7.2 W or less During LCD power switch OFF: 3.6 W or less

- 
- Keyboard
    - Layout: Japanese layout, US layout, European layout
    - Number of keys: Japanese layout (87), US layout (83), European layout (84)
    - Connector: mini DIN 6-pin
  - Pointing Device
    - Model: Static Touch Pad
    - Resolution: 240 cpi (counts/inch)
    - Connector: mini DIN 6-pin
  - Button
    - Number of buttons: 3



---

**Console Drawer**

**User's Manual**

Published August 2003  
Published by FUJITSU COMPONENT LIMITED

Printed in Japan

---

- The contents of this manual may be modified for improvements without prior notice.
- Fujitsu bears no responsibility for infringement of patent or other rights of third parties ascribable to the use of data in this manual.
- Reprinting of this manual without permission is prohibited.



**This manual is made of recycled paper.**

030823