

TWO PORT KVM SWITCH



USER MANUAL

CS-62B

Read this guide thoroughly and follow the installation and operation procedures carefully in order to prevent any damage to the unit and/or any devices that connect to it.

This package contains:

- 1 CS-62B Two Port KVM Switch with Attached Cables
- 1 User Manual

If anything is damaged or missing, contact your dealer.

© Copyright 2005 ATEN® International Co., Ltd. and the ATEN logo are registered trademarks of ATEN International Co., Ltd. All rights reserved.
Manual Part No. PAPE-1212-300G
Printed: 10/2005

2005-10-11

Note: This equipment has been tested and found to comply with the limits for a Class B digital device, pursuant to Part 15 of the FCC Rules. These limits are designed to provide reasonable protection against harmful interference in a residential installation. This equipment generates, uses and can radiate radio frequency energy, and if not installed and used in accordance with the instruction manual, may cause interference to radio communications. However, there is no guarantee that interference will not occur in a particular installation. If this equipment does cause harmful interference to radio or television reception, which can be determined by turning the equipment off and on, the user is encouraged to try to correct the interference by one or more of the following measures:

- ◆ Reorient or relocate the receiving antenna;
- ◆ Increase the separation between the equipment and receiver;
- ◆ Connect the equipment into an outlet on a circuit different from that which the receiver is connected;
- ◆ Consult the dealer or an experienced radio/television technician for help.

All contents of this package, including products, packing materials and documentation comply with ROHS.



2005-10-11

OVERVIEW

The CS-62B KVM Switch is a control unit that allows access to two computers from a single console (keyboard, monitor, and mouse). Before the development of the CS-62B, the only way to control multiple computer configurations from a single console was through a complex and costly network system. Now, with the CS-62B KVM Switch, you can easily access two computers in a cost effective manner.

The CS-62B improves on previous models with a 50% smaller footprint and attached custom KVM cables, resulting in a neat and tidy workspace and trouble-free installation.

Recognizing the increased importance of sound, the CS-62B is microphone and speaker enabled. You can input sound to both computers (one at a time) and listen to the audio output of both computers (one at a time) on a single microphone and single set of speakers.

Setup is fast and easy: plugging cables into their ports is all that is entailed. The KVM focus is toggled between the computers by means of simple Hotkey combinations entered from the keyboard.

There is no software to configure and no installation routines. Since the CS-62B intercepts keyboard input directly, it works on any hardware platform and with all operating systems.

There is no better way to save time and money than with a CS-62B KVM switch. By allowing a single console to manage both computers, the CS-62B eliminates the expense of purchasing a separate keyboard, monitor, microphone, speakers and mouse for each. Additionally, it saves the extra space they would take up, and eliminates the inconvenience and wasted effort involved in constantly having to move from one computer to the other.

FEATURES

- ◆ One console controls two computers
- ◆ Audio (microphone and speaker) enabled
- ◆ Compact design features two attached KVM/Audio (keyboard, video, mouse, microphone and speaker) cables
- ◆ Independent switching of the KVM and Audio focus - one computer can have the KVM focus while the other has the Audio focus
- ◆ Easy to install - no software required - connecting cables to the computers is all it takes
- ◆ Easy to operate - computer selection via Hotkeys
- ◆ Auto Scan function allows you to monitor both computers
- ◆ Hot pluggable - add or remove computers for maintenance without powering down the switch
- ◆ LED display for easy status monitoring
- ◆ Keyboard and mouse emulation for error free computer booting
- ◆ Supports Microsoft IntelliMouse and the scrolling wheel on most mice
- ◆ Caps Lock, Num Lock, and Scroll Lock states are saved and restored when switching
- ◆ Superior video quality - up to 2048 x 1536; DDC2B
- ◆ No external power supply necessary

HARDWARE REQUIREMENTS

CONSOLE

- ◆ A VGA, SVGA, or Multisync monitor capable of the highest resolution that you will be using on any computer in the installation
- ◆ A PS/2 style mouse
- ◆ A PS/2 style keyboard
- ◆ Speakers and microphone (optional)

COMPUTERS

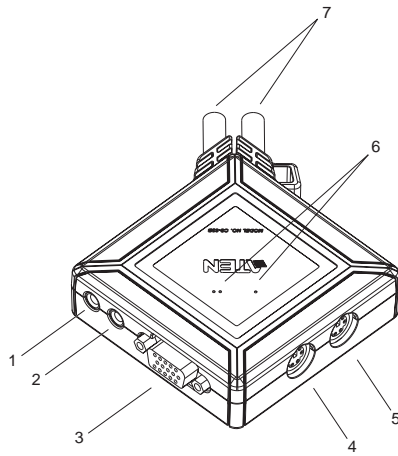
The following equipment must be installed on each computer that is to be connected to the system:

- ◆ A VGA, SVGA or Multisync card
- ◆ A 6-pin mini-DIN (PS/2 style) mouse port
- ◆ A 6-pin mini-DIN (PS/2 Style) keyboard port
- ◆ Speaker and microphone ports (optional)

CABLES

For optimum signal integrity and to simplify the layout, two high quality ATEN Custom KVM cables are integrated the CS-62B KVM Switch. There is no need to purchase cables separately.

COMPONENTS



No.	Component
1	Microphone Jack
2	Speaker Jack
3	Monitor Port
4	Mouse Port
5	Keyboard Port
6	Port LEDs: <ul style="list-style-type: none">◆ The Port LED lights GREEN when the computer attached to the corresponding port has the KVM focus.◆ The Port LED flashes when the corresponding port is accessed during <i>Auto Scan Mode</i> (see p. 34).
7	KVM Cables

INSTALLATION



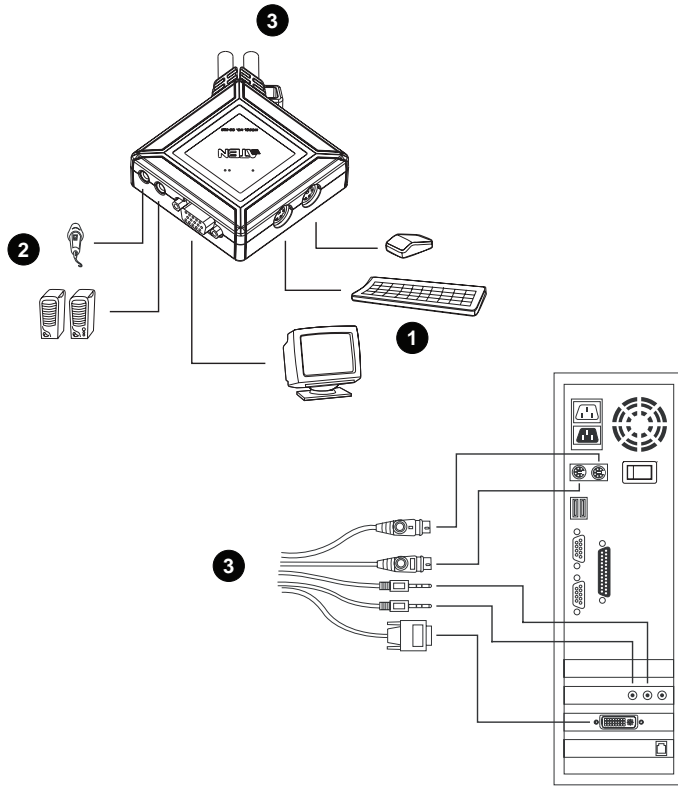
1. Before you begin, make sure that power to all the devices you will be connecting up has been turned off. You must unplug the power cords of any computers that have the *Keyboard Power On* function. Otherwise, the switch will receive power from the computer.
2. To prevent damage to your equipment, make sure that all devices you will be connecting up are properly grounded.

Refer to the Installation diagram on the next page as you perform the following steps:

1. Plug your keyboard, monitor, and mouse into the appropriate ports on the CS-62B KVM Switch. Each port is color coded and labeled with an identifying icon.
2. (Optional) Plug your microphone and speakers into the CS-62B's microphone and speaker jacks. Each jack is color coded and labeled with an identifying icon.
3. Plug the keyboard, monitor, mouse, microphone, and speaker connectors of the attached cables into their respective ports on the computers you are installing.
4. Turn on the power to the computers.

Note: By default the CS-62B links to the first computer turned on.

INSTALLATION DIAGRAM



OPERATION

Accessing both of your computers from a single console could not be easier. The CS-62B uses Hotkey combinations to provide KVM focus to the computers. Entering Hotkey combinations requires pressing keys on the keyboard in a specified order, which performs a function on the KVM switch. The Hotkey combinations allow you to:

- ◆ Select Alternative Hotkeys
- ◆ Select the Active Port
- ◆ Invoke Auto Scan Mode
- ◆ Set the Auto Scan Time Interval
- ◆ Individually Toggle the KVM and Audio Focus

ALTERNATIVE HOTKEY SELECTION

The default Hotkey is: [Scroll Lock] [Scroll Lock]

The alternative Hotkey is: [Ctrl] [Ctrl]

Enter the following Hotkeys to use the alternative Hotkey:

[Scroll Lock] [Scroll Lock] [x] [Enter]

- Note:**
1. Brackets indicate keys you should press. For example, [Enter] means to press the **Enter** key.
 2. Press and release keys one at a time.
 3. Alphabetical keys may be entered as either uppercase or lowercase.

SELECTING THE ACTIVE PORT

To toggle the KVM focus between the two computers, enter the following Hotkey combination:

[Scroll Lock] [Scroll Lock] [Enter]

AUTO SCAN MODE

The Auto Scan feature automatically switches the KVM focus between the two computers at regular intervals. It allows you to monitor activity on both computers without manually switching the focus. The default time interval is 5 seconds. Enter the following Hotkey combination to invoke Auto Scan Mode:

[Scroll Lock] [Scroll Lock] [a] [Enter]

Once scanning begins, it continues until you press either the **Spacebar** or **Esc** key to exit Auto Scan Mode. The KVM focus remains on the last computer that was accessed in Auto Scan Mode.

Note: While Auto Scan Mode is in effect, ordinary keyboard and mouse functions are suspended.

CHANGING THE SCAN INTERVAL

You may choose the amount of time Auto Scan dwells on each port. To do so, enter the following Hotkey combination:

[Scroll Lock] [Scroll Lock] [a] [n] [Enter]

where n is a number from 1 to 4. Refer to the Scan Interval Table below for the scan interval associated with each number.

n	Scan Interval
[1]	3 secs
[2]	5 secs
[3]	10 secs
[4]	20 secs

TOGGLE KVM OR AUDIO INDIVIDUALLY

To toggle only the KVM focus, enter the following Hotkey combination:

[Scroll Lock] [Scroll Lock] [k] [Enter]

To toggle only the audio focus, enter the following Hotkey combination:

[Scroll Lock] [Scroll Lock] [s] [Enter]

LED DISPLAY TABLE

Activity	Indication
Off	Port is not selected.
On	Port is connected to an active computer.
Flashing	Port is connected to an active computer that is being accessed in Auto Scan Mode.

SPECIFICATIONS

Function		Specification
Computer Connections		2
Port Selection		Hotkeys
Port LEDs		2
Console Connectors	Keyboard	1 x 6 pin mini-DIN female (purple)
	Mouse	1 x 6 pin mini-DIN female (green)
	Video	1 x HDB-15 female (blue)
	Speakers	1 x mini stereo jack female (green)
	Microphone	1 x mini stereo jack female (pink)
Computer Connectors	Keyboard	2 x 6 pin mini-DIN male (purple)
	Mouse	2 x 6 pin mini-DIN male (green)
	Video	2 x HDB-15 male (blue)
	Speakers	2 x mini stereo jack female (green)
	Microphone	2 x mini stereo jack female (pink)
Keyboard/Mouse Emulation		PS/2
Scan Interval		3, 5, 10, 20 seconds
Video Resolution		2048 x 1536; DDC2B
Environment		Operating Temperature: 0 - 50° C Storage Temperature: -20 - 60° C Humidity: 0 - 80% RH, Non-condensing
Housing		Plastic
Weight		400 g
Dimensions (L x W x H)		74.4 x 74.4 x 23.2 mm

TROUBLESHOOTING

Symptom	Possible Cause	Action
Keyboard Not Responding. ¹	Loose cables.	Check all keyboard cable connections to make sure that they are completely seated in their sockets.
	Keyboard needs to be reset.	Unplug the keyboard from the Console Keyboard Port, and then plug it back in.
	Switch needs to be reset.	Turn off the computers. Unplug the KVM cables. Wait five seconds, and then plug the cables back in and turn the computers on.
	Switch is in Auto Scan Mode.	Press the Spacebar or Esc key to exit Auto Scan Mode.
Pressing Hot Keys Gets No Response. ²	Selected port is connected to a computer that is turned off.	Resend the Hotkey command, selecting a port that has a powered On computer attached.
	Hotkey sequence incorrectly entered.	Resend the Hotkey command - press and release each key one at a time.
	Switch is in Auto Scan Mode.	Press the Spacebar or Esc key to exit Auto Scan Mode.
Mouse Not Detected, or Does Not Respond Correctly. ²	Loose cables.	Check all mouse cable connections to make sure they are completely seated in their sockets.
	Using Mouse Port Adapters.	This unit is designed to only work with PS/2 mice and computers with PS/2 type mouse ports. Serial mouse ports with adapters cannot be used.
	Mouse needs to be reset.	Unplug the mouse from the Console Mouse Port, and then plug it back in.

(Table continues on the next page.)

Symptom	Possible Cause	Action
Mouse Not Detected, or Does Not Respond Correctly. ²	The switch needs to be reset.	Turn off the computers and unplug the KVM cables. Wait five seconds; then plug the cables back in and turn the computers on.
	The mouse is set to Serial Mode.	Some mice can be set to act as either a PS/2 or serial mouse. Make sure the mouse is set to PS/2 mode.
	Incorrect Mouse Driver.	Check your Device Manager to be sure that the correct driver for your mouse (obtained from the manufacturer, or supplied by the operating system), has been installed.
Video Problems.	Resolution and/or Bandwidth set too high.	Select a lower resolution and/or bandwidth.

¹ The CS-62B is designed to work with PS/2 keyboards.

² Some Notebooks, such as the IBM Thinkpad and Toshiba Tecra, have trouble when their mouse and keyboard ports are used simultaneously. To avoid this problem, only connect the mouse port or the keyboard port. If you connect the mouse port, you will need to use the notebook's keyboard when the notebook becomes the active computer.

LIMITED WARRANTY

IN NO EVENT SHALL THE DIRECT VENDOR'S LIABILITY EXCEED THE PRICE PAID FOR THE PRODUCT FROM THE DIRECT, INDIRECT, SPECIAL, INCIDENTAL OR CONSEQUENTIAL DAMAGES RESULTING FROM THE USE OF THE PRODUCT, DISK OR ITS DOCUMENTATION.

The direct vendor makes no warranty or representation, expressed, implied, or statutory with respect to the contents or use of this documentation, and specially disclaims its quality, performance, merchantability, or fitness for any particular purpose.

The direct vendor also reserves the right to revise or update the device or documentation without obligation to notify any individual or entity of such revisions, or update. For further inquires please contact your direct vendor.

Notes:

- 14 -

2005-10-11