

# DVI VIDEO / AUDIO SPLITTER



## USER MANUAL

---

### VS-162 / VS-164

---

Read this guide thoroughly and follow the installation and operation procedures carefully in order to prevent any damage to the units and/or any devices that connect to them.

---

This package contains:

- 1 VS-162 or VS-164 DVI Video Switch
- 1 Power Adapter
- 1 User Manual

© Copyright 2005 ATEN® International Co., Ltd.

Manual Part No. PAPE - 1258-100

Printed in Taiwan 03/2005

All brand names and trademarks are the registered property of their respective owners.

---

2005-03-02

**Note:** This equipment has been tested and found to comply with the limits for a Class B digital device, pursuant to Part 15 of the FCC Rules. These limits are designed to provide reasonable protection against harmful interference in a residential installation. This equipment generates, uses and can radiate radio frequency energy, and if not installed and used in accordance with the instruction manual, may cause interference to radio communications. However, there is no guarantee that interference will not occur in a particular installation. If this equipment does cause harmful interference to radio or television reception, which can be determined by turning the equipment off and on, the user is encouraged to try to correct the interference by one or more of the following measures:

- ◆ Reorient or relocate the receiving antenna;
- ◆ Increase the separation between the equipment and receiver;
- ◆ Connect the equipment into an outlet on a circuit different from that which the receiver is connected;
- ◆ Consult the dealer or an experienced radio/television technician for help.



2005-03-02

## OVERVIEW

The 2 port VS-162 and 4 port VS-164 video splitters chart a new direction in multimedia functionality by combining DVI quality video and audio. They take the signals from an audio/video source and replicate them to two (VS-162) or four (VS-164) audio/video outputs.

Splitters can be cascaded to three levels to handle up to 64 monitors (VS-164), which makes them the ideal solution for situations such as:

- a) Broadcasting video information to the public (news headlines, stock prices, airline and train schedules, etc.)
- b) Company training facilities
- c) Classroom instruction

## **FEATURES**

- ◆ Fully compliant with the DVI-digital and DVI-analog specification
- ◆ Speaker enabled
- ◆ Enhances the video signal for distances up to 1.8m (6')
- ◆ Supports DDC2B (Port 1 only)
- ◆ LED display for easy status monitoring
- ◆ Easy installation
- ◆ Small form factor with metal housing

## HARDWARE REQUIREMENTS

### INPUT

The following equipment must be installed on any computer that acts as a source of DVI content:

- ◆ A DVI-D or DVI-A display port

**Note:** The quality of the display is affected by the quality of the DVI display card. For best results, we recommend you purchase a high quality product.

- ◆ An audio out port (optional - for audio accompaniment to the display)

### OUTPUT

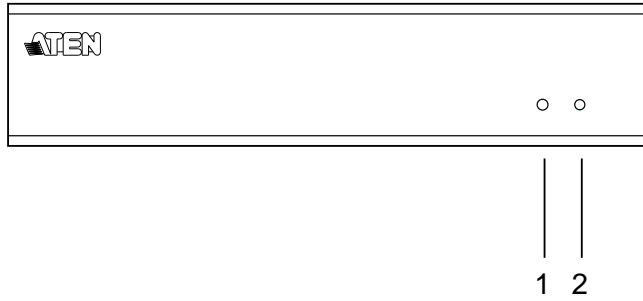
- ◆ A DVI display that matches the computer's DVI display card that is capable of the highest resolution that you will be using on the DVI input.
- ◆ Speakers for audio output (optional)

### CABLES

Two (VS-162) or four (VS-164) DVI cables are required to properly operate this DVI Switch.

- Note:**
1. Cables are not included in this package. Since the quality of the display is affected by the quality and the length of the cables, we strongly recommend that you purchase high quality cables. Contact your dealer to purchase the correct cables for your switch.
  2. The cable type must match the type of signal being used by the DVI source and the DVI display.

## VS-162 / VS-164 FRONT VIEW



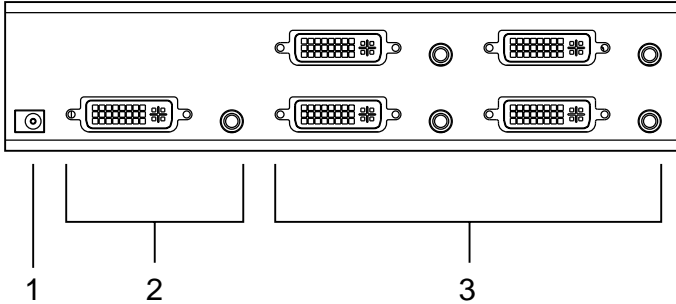
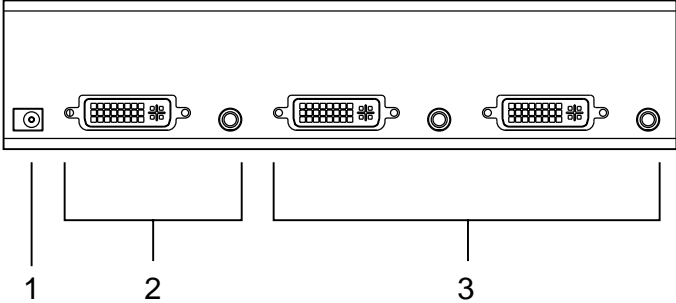
### 1. Link LED

Lights to indicate that there is a working DVI connection to the computer.

### 2. Power LED

Lights to indicate that the VS-162 / VS-164 is receiving power and is up and running.

**VS-162 / VS-164 REAR VIEW**



### **1. Power Jack**

The power adapter cable plugs in here.

### **2. Media Input Section**

The cables from your computer's DVI video and speaker ports plug in here.

**Note:** If you connect a DDC monitor to Port 1, all other monitors must be able to support the highest resolution that the DDC monitor can provide.

### **3. Media Output Section**

The cables from your DVI monitors and speakers plug in here.



## INSTALLATION



1. Make sure that power to all the devices you will be connecting up has been turned off.
2. Make sure that all devices you will be connecting up are properly grounded.

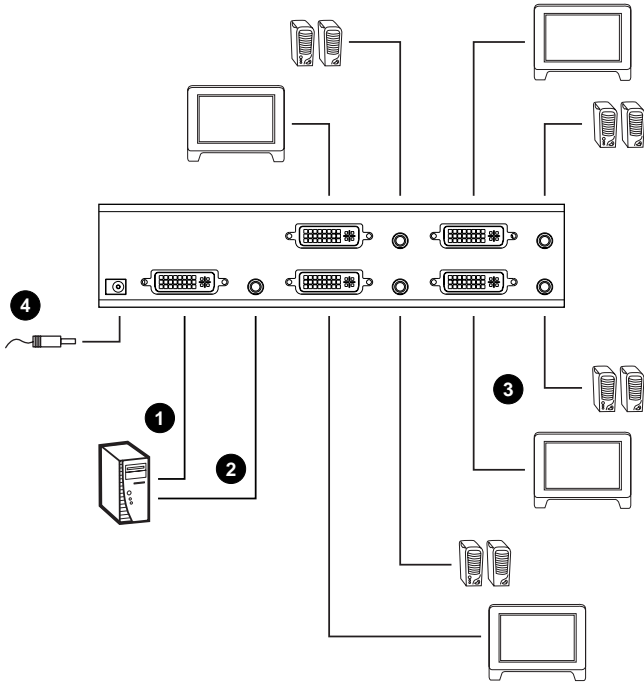
## SINGLE STAGE

Refer to the installation diagram on the next page (the numbers in the diagram correspond to the numbers of the steps) and do the following:

1. Use a male to male DVI cable to connect your computer's DVI port to the VS-162 / VS-164's Video In port.
2. Use a male to male audio cable to connect your computer's speaker port to the VS-162 / VS-164's Audio In port.
3. Plug your DVI monitors and speakers into the Media Out ports.

**Note:** Since Port 1 is the port that supports DDC2B, you must start with Port 1. After that, you can use any available port.

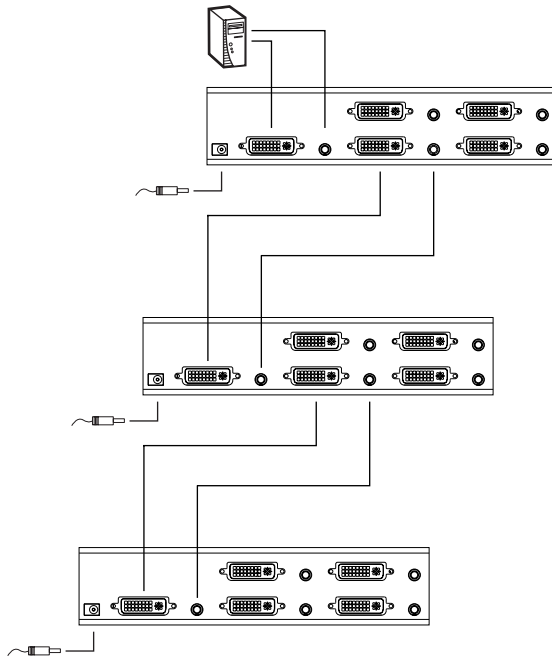
4. Plug the power adapter that came with your switch into an AC power source, then plug the power adapter cable into the switch's Power Jack.



## CASCADING

To provide even more audio/video display, additional units can be cascaded from the VS-162 / VS-164's Media Out ports.

Simply use additional male to male DVI and audio cables to connect a Media Out port on the parent splitter to the Media In port of the child splitter.



**Note:** Splitters can be cascaded to a maximum of three levels.

## SPECIFICATIONS

Function		VS-162	VS-164
Outputs		2	4
LEDs	Link	1	
	Power	1	
Connectors	Video In	1 x DVI port (F)	
	Audio In	1 x Audio jack	
	Video Out	2 x DVI ports (F)	4 x DVI ports (F)
	Audio Out	2 x Audio jacks	4 x Audio jacks
	Power	1 x DC 5.3V jack	
Power Adapter		DC 5.3V	
Power Consumption		3.4W	4.8W
Resolution		Up to 1600 x 1200; DDC2B	
Cable Distance		1.8m (6') to monitors or cascaded splitter	
Operating Temperature		0 - 50° C	
Storage Temperature		-20 - 60° C	
Humidity		0 - 80% RH, Non-condensing	
Housing		Metal	
Weight		0.62kg	0.72kg
Dimensions (L x W x H)		210 x 88 x 55.5 cm	

## DVI-I PIN ASSIGNMENTS

Pin	Signal	Pin	Signal
1	TMDS Data2-	16	Hot Plug Detect
2	TMDS Data2+	17	TMDS Data0-
3	GND	18	TMDS Data0+
4	N.C.	19	GND
5	N.C.	20	N.C.
6	DDC Clock	21	N.C.
7	DDC Data	22	TMDS Clock Shield
8	Analog Vertical Sync.	23	TMDS Clock+
9	TMDS Data1-	24	TMDS Clock-
10	TMDS Data1+	C1	Analog Red
11	GND	C2	Analog Green
12	N.C.	C3	Analog Blue
13	N.C.	C4	Analog H. Sync.
14	+5V Power	C5	Analog Ground (Analog R, G, B Return)
15	Ground (return for +5V, H Sync., and V Sync.)		

## TROUBLESHOOTING

Symptom	Possible Cause	Action
Erratic behavior.	Unit not receiving enough power.	Use a DC 5.3V power adapter if you are not already using one. If you are already using a power adapter, check that it matches the system specifications (DC 5.3V), and that it is plugged in and functioning properly.
Video doesn't display on some ports.	DVI specification of the source device doesn't match the DVI specification of the DVI cable and/or the DVI display device.	There are three DVI standards: DVI-A; DVI-D; and DVI-I. Make sure that the DVI specifications of the source device, cable, and monitor all match. <b>Note:</b> Some monitors are able to support multiple DVI signals.  DVI-D only supports resolutions up to 1280 x 1024
	No DDC2B monitor on Port 1.	Since Port 1 is the port that supports DDC2B, there must be a monitor that supports DDC2B on Port 1.
	Port 1 monitor resolution set too high.	The resolution of the monitor on Port 1 must not exceed the maximum resolution of any of the other monitors.
	Port 1 monitor resolution not supported by other monitors.	The monitor on Port 1 must be set to a resolution that the other monitors support.
	Mixing of Apple Cinema Display and LCD monitors.	The monitors must all be Apple Cinema Display monitors, or all LCD monitors.

**Limited Warranty**

IN NO EVENT SHALL THE DIRECT VENDOR'S LIABILITY EXCEED THE PRICE PAID FOR THE PRODUCT FROM THE DIRECT, INDIRECT, SPECIAL, INCIDENTAL OR CONSEQUENTIAL DAMAGES RESULTING FROM THE USE OF THE PRODUCT, DISK OR ITS DOCUMENTATION.

The direct vendor makes no warranty or representation, expressed, implied, or statutory with respect to the contents or use of this documentation, and specially disclaims its quality, performance, merchantability, or fitness for any particular purpose.

The direct vendor also reserves the right to revise or update the device or documentation without obligation to notify any individual or entity of such revisions, or update. For further inquires please contact your direct vendor.

**Notes:**

---

- 14 -

2005-03-02