

8 PORT VIDEO SWITCH



USER MANUAL

VS-881

Read this guide thoroughly and follow the installation and operation procedures carefully in order to prevent any damage to the units and/or any devices that connect to them.

This package contains:

- 1 8 Port Video Switch
- 1 Infrared Remote Control Handset
- 1 Infrared Receiver (with 1.8m attached cable)
- 1 Video Cable (1.2m)
- 1 Power Adapter
- 1 User Manual
- 1 Quick Start Guide

© Copyright 2000 ATEN® International Co., Ltd.
Manual Part No. PAPE - 1213-100
Printed in Taiwan 12/2002



All brand names and trademarks are the registered property of their respective owners.

2002-12-13

NOTE: This equipment has been tested and found to comply with the limits for a Class B digital device pursuant to Subpart J of Part 15 of FCC Rules. These limits are designed to provide reasonable protection against harmful interference in a residential installation. This equipment generates, uses and can radiate radio frequency energy and, if not installed and used in accordance with the instructions, may cause harmful interference to radio communications. However, there is no guarantee that interference will not occur in a particular installation. If this equipment does cause harmful interference to radio or television reception, which can be determined by turning the equipment off and on, the user is encouraged to try to correct the interference by one or more of the following measures:

- ◆ Reorient or relocate the receiving antenna.
- ◆ Increase the separation between the equipment and receiver.
- ◆ Connect the equipment into an outlet on a circuit different from that to which the receiver is connected.
- ◆ Consult the dealer or an experienced radio/television technician for help.

OVERVIEW

The VS-881 Video Switch is a modern control unit that allows you to conveniently display the video output of eight separate computer systems on a single monitor, or via a multimedia projector - thereby eliminating the unnecessary expense of purchasing a separate monitor for each computer. The VS-881 is perfect for corporate presentations, company briefings and institutional learning centers.

The VS-881 improves on previous video switch models with enhanced features that include a freely accessible concentric-hub design; easy computer selection via push buttons; intelligent infrared (IR) remote control; and electronic switching technology, rather than mechanical switching, for reliability and durability.

The VS-881 also saves on the space that additional monitors take up, as well as the extra power costs, and eliminates the inconvenience and wasted effort involved in constantly moving around from one computer to another.

FEATURES

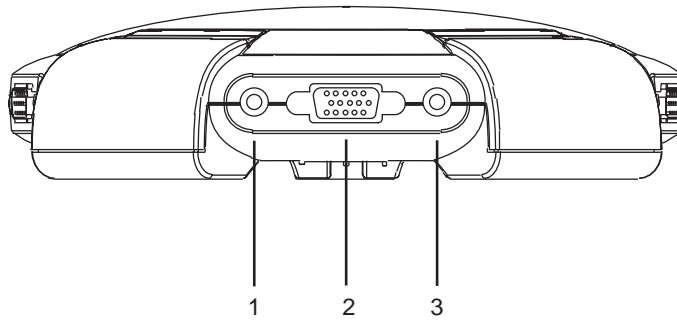
- ◆ Displays the video output of eight separate computers on a single monitor or projector
- ◆ New modern concentric design with logical connector layout for quick and easy access
- ◆ Fast and convenient computer selection via push buttons or infrared (IR) remote control
- ◆ External IR Receiver (1.8m) for maximum efficiency and convenience
- ◆ Extra-thin IR handset allows easy storage in the mother unit
- ◆ Electronic Switching for greater reliability and durability
- ◆ High resolution video - up to 2048 x 1536; DDC; DDC2; DDC2B
- ◆ Supports, VGA, SVGA, XGA and multisync monitors
- ◆ Easy installation - no software required - no configuration necessary

SYSTEM REQUIREMENTS

- ♦ One VGA, SVGA, XGA, or Multisync compatible analog monitor, with a standard PC high density cable having a 15 pin HDB type male connector
- ♦ One VGA, SVGA, XGA, or Multisync analog video card having a standard PC 15 pin HDB type female connector per computer.
- ♦ A video cable with one male and one female HDB-15 connector at each end for each computer you will be installing.

Note: One (1) video cable is supplied with this unit.

FRONT VIEW



1. IR Receiver Port

The external IR Receiver has an attached cable that allows it to be placed anywhere up to 1.8m from the switch, The cable from the external IR Receiver plugs in here.

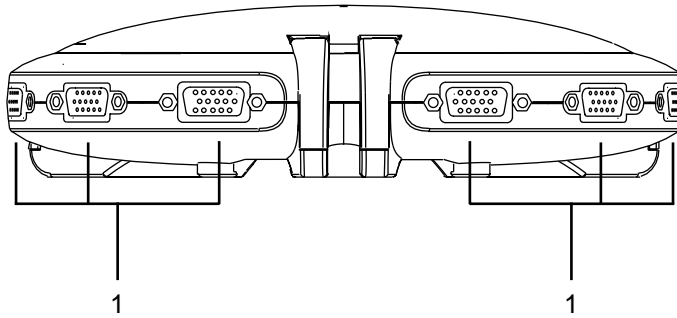
2. Monitor Port

The cable from the monitor or digital projector plugs in here.

3. Power Jack

The AC Power Adapter cable plugs in here.

REAR VIEW

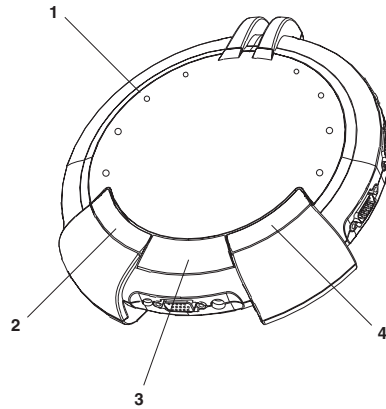


1. Video Ports

The cables that connect to the computer video ports plug in here.

There are eight video ports distributed around the VS-881's circumference.

TOP VIEW



1. Port LEDs

- ♦ A LED lights ORANGE to indicate the computer connected to its corresponding port is Online.
- ♦ The LED changes to GREEN to indicate the computer connected to its corresponding port is the one that is currently selected.
- ♦ The LED goes out when the computer connected to its corresponding port is in *Standby* mode.

2. Port Down Switch

Press this button to switch the video focus to the computer previous to the current one.

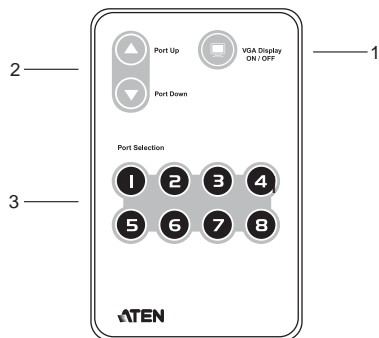
3. VGA Display On / Off

Powers the unit's VGA display ON and OFF.

4. Port Up Switch

Press this button to switch the video focus to the computer subsequent to the current one.

IR REMOTE CONTROL UNIT



1. VGA Display ON / OFF

Powers the unit's VGA display ON and OFF.

2. Port Up / Port Down

These buttons function in a similar manner to the Port Up / Port Down buttons on the main unit. Press these buttons to switch the video focus to the NEXT or PREVIOUS computer on the installation.

3. Port Selection

The numbers correspond to the video ports on the main unit. Press a button (1 to 8) to switch the video focus to the computer connected to its corresponding port.

Note: The VS-881's remote control handset comes packaged in protective plastic film. Please remove this film before operating it with the VS-881 main unit.

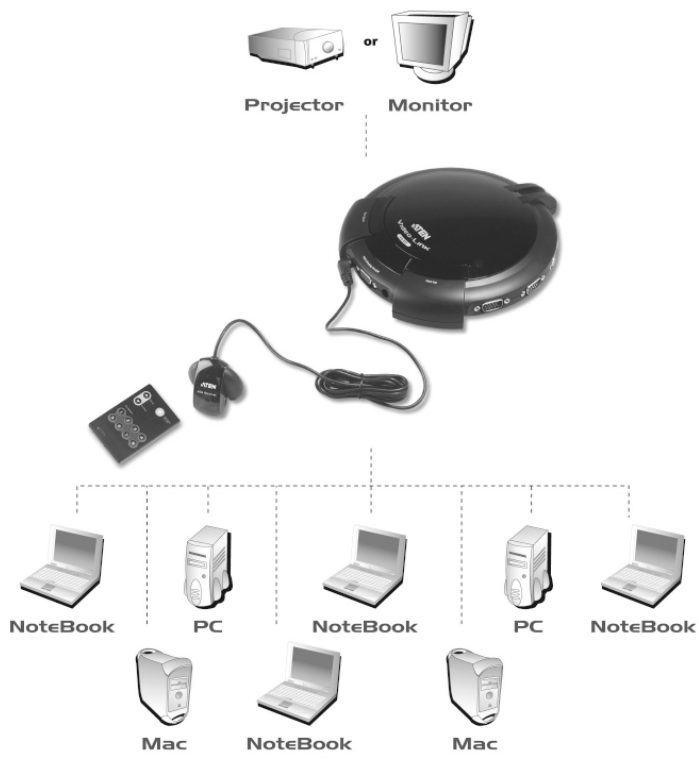
INSTALLATION

Installation is simply a matter of plugging in cables.

1. Make sure that power to all the devices you will be connecting up have been turned off.
2. Plug the monitor or digital projector cable into the unit's Monitor port.
3. Plug one end of a video cable (see the *System Requirements* section on p. 3), into any available video port on the unit; plug the other end into the computer's video output port.

Note: One video cable is supplied with this unit.
Additional cables require an extra purchase.

4. Plug the power adapter (supplied with this package) into an AC source; plug the power adapter cable into the unit's Power Jack.
5. Plug the IR Receiver cable into the IR Receiver port at the front of the main unit.
6. Power On all equipment.



PORT SELECTION

MANUAL PORT UP / PORT DOWN

Use the **Port Up** and **Port Down** buttons, located on the top of the VS-881 unit, to cycle the video focus to the port you want.

A Port LED changes from ORANGE to GREEN to indicate that the computer connected to its corresponding port has the video focus.



IR PORT UP / PORT DOWN

The video focus can also be cycled among the computers using the **Port Up** and **Port Down** buttons of the IR Remote Control Unit (see p. 7).

Note: The IR Remote Control Unit is used in conjunction with the external IR Receiver (see the diagram on p. 9).



IR DIRECT PORT SELECTION

Instead of cycling among the individual computers one-by-one, a computer can be directly selected by pushing the button on the Remote Control Unit that corresponds to its port number (1-8) on the main unit.

The selected port's LED changes from ORANGE to GREEN to indicate that the computer connected to its corresponding port has the video focus.

Note: The VS-881's Remote Control Unit has a maximum infrared-signal range of up to 10 meters. For optimum performance make sure that there is a clear line-of-sight between the handset and the receiver.

SPECIFICATIONS

Function		Specification
Connectors	Video In	8 HDB-15 Male
	Video Out	1 HDB-15 Female
	Power In	1 Power Adapter Jack
	IR	1 Earphone Jack
LEDs		8 Online / Selected (Orange / Green) 1 VGA Display ON/OFF (Blue)
Port Selection		Push Button Switches / IR Remote Control
Video Resolution		2048 x 1536
Power Consumption		AC 9V, 4.5W
Operating Temperature		0 ~ 50°C
Storage Temperature		-20 ~ 60°C
Humidity		0 ~ 80% RH Non condensing
Housing		Plastic
Weight		0.45 Kg
Dimensions (L x W x H)		17 x 19 x 4.5 cm

LIMITED WARRANTY

IN NO EVENT SHALL THE DIRECT VENDOR'S LIABILITY FOR DIRECT, INDIRECT, SPECIAL, INCIDENTAL, OR CONSEQUENTIAL DAMAGES RESULTING FROM THE USE OF THE PRODUCT, DISK, OR ITS DOCUMENTATION EXCEED THE PRICE PAID FOR THE PRODUCT.

The direct vendor makes no warranty or representation, expressed, implied, or statutory with respect to the contents or use of this documentation, and especially disclaims its quality, performance, merchantability, or fitness for any particular purpose.

The direct vendor also reserves the right to revise or update the device or documentation without obligation to notify any individual or entity of such revisions, or update. For further inquiries, please contact your direct vendor.

Notes:

- 14 -

2002-12-13